

說明1 INTRODUCTION 1

R	圓形端頭 Ring terminal
S	叉形端頭 Fork terminal
H	鉤形端頭 Hook terminal
PT	針形端頭 Pin terminal
FD	母接頭 Female connector
MD	公接頭 Male connector
FR	子彈形母接頭 Bullet female connector
MP	子彈形公接頭 Bullet male connector
DB	片形端頭 Chip terminal
LS	鎖扣叉形端頭 Snap close furcate terminal
FS	凸形叉形端頭 Male chip terminal
LB	凹片形端頭 Female chip terminal
BV	長形中間接頭 Long full terminal
FLD	旗形母接頭 Flag female terminal
FDF	母全絕緣端頭 Female full-insulating terminal
PVT	短形中間接頭 Short middle terminal
PBD	肩背形公、母接頭 Shalle shaped

說明2 INTRODUCTION 2

110:0.110 "	(2.8mm)
187:0.187 "	(4.75mm)
205:0.205 "	(5.2mm)
250:0.205 "	(6.35 mm)
312:0.312 "	(8.0mm)
375:0.375 "	(9.4mm)
156:0.156 "	(4mm)
195:0.195 "	(5mm)

說明3 INTRODUCTION 3

Wire	Wire size(mm)	America wire(A.W.G)
1.25	0.5-1.5	22-16
2	1.5-2.5	16-14
3.5	2.5-4	14-12
5.5	4-6	12-10
8	6-10	8
14	10-16	6
22	16-25	4
38	25-35	2
60	50-70	1/0
70	70-95	2/0
80	95-120	3/0
100	120-150	4/0
150	150-185	250/300MCM
180	185-240	300/350MCM
200	240-300	400/500MCM
325	300-400	500/600MCM

說明4 INTRODUCTION 4

Bolt pass diameter (Mm)	Amedca wire(mm)
3.2	#4
3.7	#6
4.3	#8
5.3	#10
6.4	1/4
8.4	5/16
10.5	3/8
11.0	7/6
13.0	1/2
15.0	9/16
17.0	5/8
18.0	1/16
21.0	3/4
23.0	7/8
25.0	15/16
28.0	1



Conductor section:0.5-1.5mm²(A.W.G22 ~16) I_{max}=19A Material: Copper Thickness:0.7mm



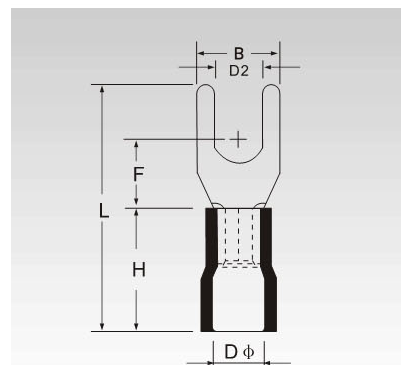
TYPE	American Bolt number	D2(mm)	DIMENSION					H	Dφ	color
			B	L	F	H	Dφ			
			mm	mm	mm	mm	mm	mm		
ESV 1.25-3	# 4	3.2	5.7	21.2	6.5	10.0	4.3	red		
ESVS 1.25-3.5	# 6	3.7	5.7	21.2	6.5					
ESVL 1.25-3.5	# 6	3.7	6.4	21.2	6.5					
ESVS 1.25-4	# 8	4.3	6.4	21.2	6.5					
ESVM 1.25-4	# 8	4.3	7.2	21.2	6.5					
ESVL 1.25-4	# 8	4.3	8.1	21.2	6.5					
ESVS 1.25-5	# 10	5.3	8.1	21.2	6.5					
ESVL 1.25-5	# 10	5.3	9.5	21.2	6.5					
ESVS 1.25-6	1/4	6.4	9.5	21.2	6.5					
ESVL 1.25-6	1/4	6.4	12.0	27.2	11.0					

Conductor section:1.5-2.5mm²(A.W.G16 ~14) I_{max}=27A Material: Copper Thickness:0.8mm



TYPE	American Bolt number	D2(mm)	DIMENSION					H	Dφ	color
			B	L	F	H	Dφ			
			mm	mm	mm	mm	mm	mm		
ESV 2-3.2	# 4	3.2	5.7	21.2	6.5	10.0	4.9	blue		
ESVS 2-3.7	# 6	3.7	5.7	21.2	6.5					
ESVL 2-3.7	# 6	3.7	6.0	21.2	6.5					
ESVS 2-4	# 8	4.3	6.4	21.2	6.5					
ESVM 2-4	# 8	4.3	7.2	21.2	6.5					
ESVL 2-4	# 8	4.3	8.1	21.2	6.5					
ESVS 2-5	# 10	5.3	8.1	21.2	6.5					
ESVL 2-5	# 10	5.3	9.5	21.2	6.5					
ESVS 2-6	1/4	6.5	9.5	21.2	6.5					
ESVL 2-6	1/4	6.5	12.0	27.2	11.0					

Conductor section:4-6mm²(A.W.G12 ~ 10) I_{max}=48A Material: Copper Thickness:1.0mm



TYPE	American Bolt number	D2(mm)	DIMENSION					H	Dφ	color
			B	L	F	H	Dφ			
			mm	mm	mm	mm	mm	mm		
ESV 5.5-3.5	# 6	3.7	8.3	26	7.5	13.0	6.7	yellow		
ESVS 5.5-4	# 8	4.3	8.3	26	7.5					
ESVL 5.5-4	# 8	4.3	9.0	26	7.5					
ESV 5.5-5	# 10	5.3	9.0	26	7.5					
ESVS 5.5-6	1/4	6.5	9.0	26	7.5					
ESVL 5.5-6	1/4	6.5	12.0	32	12.0					
ESV 5.5-8	5/16	8.4	14.0	37	11.5					



Conductor section:0.5-1.5mm²(A.W.G22 ~16) I_{max}=19A Material: Copper Thickness:0.7mm

TYPE	American Bolt number	D2(mm)	DIMENSION					H	Dφ	color
			B	L	F	H	Dφ			
			mm	mm	mm	mm	mm	mm		
ERV 1.25-3	# 4	3.2	5.7	17.6	4.95	10.0	4.3	red		
ERVS 1.25-3.5	# 6	3.7	5.7	17.6	4.95					
ERVM 1.25-3.5	# 6	3.7	6.6	19.4	6.3					
ERVL 1.25-3.5	# 6	3.7	8.0	20.8	7.0					
ERVS 1.25-4	# 8	4.3	6.6	19.4	6.3					
ERVL 1.25-4	# 8	4.3	8.0	20.8	7.0					
ERVS 1.25-5	# 10	5.3	8.0	20.8	7.0					
ERVL 1.25-5	# 10	5.3	9.8	23	8.5					
ERVS 1.25-6	1/4	6.4	9.8	23	8.5					
ERVL 1.25-6	1/4	6.4	11.6	26.8	11.1					
ERV 1.25-8	5/16	8.4	11.6	26.8	11.1					
ERV 1.25-10	3/8	10.5	13.6	30.5	13.9					
ERV 1.25-12	1/2	13.0	19.2	36	16.5					



Conductor section:1.5-2.5mm²(A.W.G16 ~14) I_{max}=27A Material: Copper Thickness:0.8mm

TYPE	American Bolt number	D2(mm)	DIMENSION					H	Dφ	color
			B	L	F	H	Dφ			
			mm	mm	mm	mm	mm	mm		
ERV 2-3	#4	3.2	6.6	17.5	4.3	10.0	4.9	blue		
ERVS 2-3.5	#6	3.7	6.6	17.5	4.3					
ERVM 2-3.5	#8	3.7	6.6	21.2	7.0					
ERVL 2-3.5	#6	3.7	8.5	22	7.75					
ERVS 2-4	#8	4.3	6.6	21.2	7.0					
ERVL 2-4	#8	4.3	8.5	22	7.75					
ERVS 2-5	#10	5.3	8.5	22	7.75					
ERVL 2-5	#10	5.3	9.5	22	7.25					
ERVS 2-6	1/4	6.4	12.0	27	11.0					
ERV 2-8	5/16	8.4	12.0	27	11.0					
ERV 2-10	3/8	10.5	13.6	30.7	13.9					
ERV 2-12	1/2	13.0	19.2	36.2	16.5					

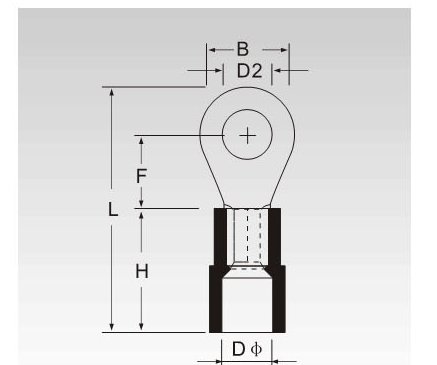


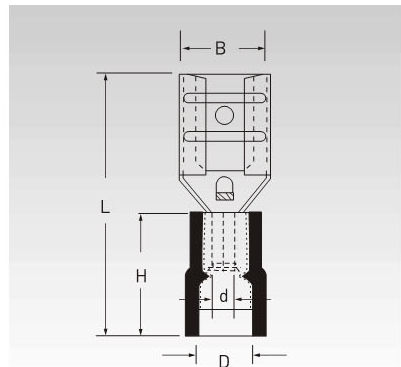
Conductor section:2.5-4mm²(A.W.G14 ~ 12) I_{max}=37A Material: Copper Thickness:1.0mm

TYPE	American Bolt number	D2(mm)	DIMENSION					H	Dφ	color
			B	L	F	H	Dφ			
			mm	mm	mm	mm	mm	mm		
ERV 3.5-4	#8	4.3	8.0	24.5	7.7	13.0	6.2	black		
ERVS 3.5-5	#10	5.3	8.0	24.5	7.7					
ERVL 3.5-5	#10	5.3	12.0	27.9	7.7					
ERV 3.5-6	1/4	6.4	12.0	27.9	7.7					

Conductor section:4-6mm²(A.W.G12 ~ 10) I_{max}=48A Material: Copper Thickness:1.0mm

TYPE	American Bolt number	D2(mm)	DIMENSION					H	Dφ	color
			B	L	F	H	Dφ			
			mm	mm	mm	mm	mm	mm		
ERV 5.5-3.5	#6	3.7	7.2	21.7	5.3	13.0	6.7	yellow		
ERVS 5.5-4	#8	4.3	7.2	21.7	5.3					
ERVL 5.5-4	#8	4.3	9.5	25.8	8.25					
ERV 5.5-5	#10	5.3	9.5	25.8	8.25					
ERVS 5.5-6	1/4	6.4	12.0	29.35	10.7					
ERVL 5.5-6	1/4	6.4	12.0	31.8	13					
ERV 5.5-8	5/16	8.4	15.0	34	13.7					
ERV 5.5-10	3/8	10.5	15.0	34	13.7					
ERV 5.5-12	1/2	13.0	19.2	38.4	16					





Conductor section: 0.5-1.5mm² (A.W.G22 ~ 16) I_{max}=10A Material: Brass

TYPE	Nema Tab (mm)	Thickness of material (mm)	DIMENSION					color
			B	D φ	d φ	L	H	
EFDD 1.25-250	0.8 × 6.35	0.4	7.4	3.8	1.7	21.0	10.0	red

Conductor section: 1.5-2.5mm² (A.W.G16 ~ 14) I_{max}=15A Material: Brass

TYPE	Nema Tab (mm)	Thickness of material (mm)	DIMENSION					color
			B	D φ	d φ	L	H	
EFDD 2-250	0.8 × 6.35	0.4	7.4	4.3	2.3	21.0	10.0	blue

Conductor section: 4-6mm² (A.W.G12 ~ 10) I_{max}=24A Material: Brass

TYPE	Nema Tab (mm)	Thickness of material (mm)	DIMENSION					color
			B	D φ	d φ	L	H	
EFDD 5.5-250	0.8 × 6.35	0.4	7.4	5.7	3.4	25.0	13.0	yellow

MALE PRE-INSULATING JOINT (INSIDE COLLAR)
EASY ENTRY COPPER SLEEVE

Conductor section: 0.5-1.5mm (A.W.G22 ~ 16) I_{max}=10A Material: Brass

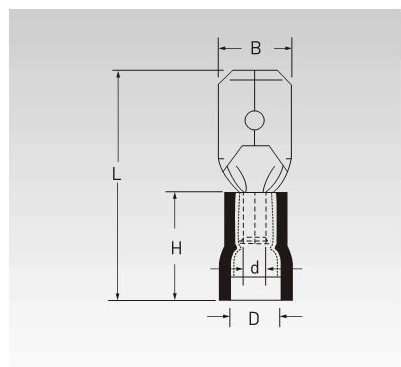
TYPE	Nema Tab (mm)	Thickness of material (mm)	DIMENSION					color
			B	D φ	d φ	L	H	
EMDD 1.25-250	0.8 × 6.35	0.4 × 0.2	6.35	4.3	1.7	21.0	10.0	red

Conductor section: 1.5-2.5mm (A.W.G16 ~ 14) I_{max}=15A Material: Brass

TYPE	Nema Tab (mm)	Thickness of material (mm)	DIMENSION					color
			B	D φ	d φ	L	H	
EMDD 2-250	0.8 × 6.35	0.4 × 0.2	6.35	4.3	2.3	21.0	10.0	blue

Conductor section: 4-6mm² (A.W.G12 ~ 10) I_{max}=24A Material: Brass

TYPE	Nema Tab (mm)	Thickness of material (mm)	DIMENSION					color
			B	D φ	d φ	L	H	
EMDD 5.5-250	0.8 × 6.35	0.4 × 0.2	6.35	5.7	3.4	25.0	13.0	yellow



Conductor section: 0.5-1.5mm² (A.W.G22 ~ 16) I_{max}=10A Material: Brass

TYPE	Nema Tab (mm)	DIMENSION					
		B	B1	H	D φ	d φ	L
EFBDD 1.25-250	0.8 × 6.35	7.4	6.35	10.0	3.8	1.7	21.5

Conductor section: 1.5-2.5mm² (A.W.G16 ~ 14) I_{max}=15A Material: Brass

TYPE	Nema Tab (mm)	DIMENSION					
		B	B1	H	D φ	d φ	L
EFBDD 2-250	0.8 × 6.35	7.4	6.35	10.0	4.3	2.3	21.5

Conductor section: 4-6mm² (A.W.G12 ~ 10) I_{max}=24A Material: Brass

TYPE	Nema Tab (mm)	DIMENSION					
		B	B1	H	D φ	d φ	L
EFBDD 5.5-250	0.8 × 6.35	7.4	6.35	13.0	5.7	3.4	25.0

BULLET SHAPED MALE PRE-INSULATING JOINT (INSIDE COLLAR)
EASY ENTRY COPPER SLEEVE

Conductor section: 0.5-1.5mm² (A.W.G22 ~ 16) I_{max}=10A Material: Brass

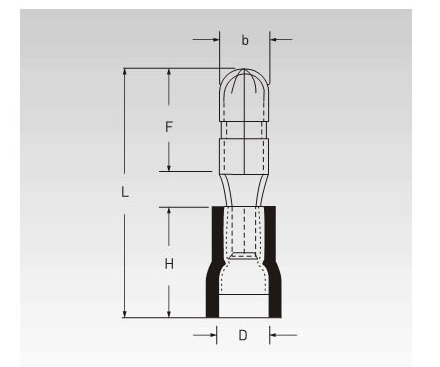
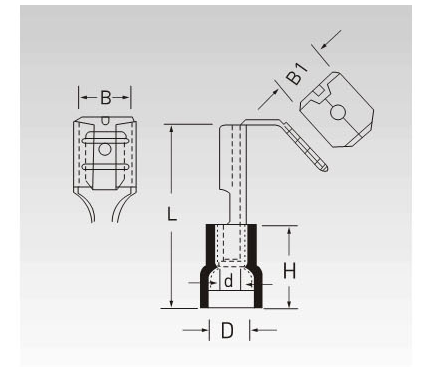
TYPE	Thickness of material (mm)	DIMENSION					color
		b φ	F	D φ	H	L	
EMPD 1.25-156	0.4	4.0	11.0	1.7	10.0	21.0	red

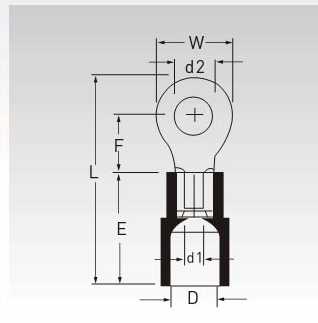
Conductor section: 1.5-2.5mm² (A.W.G16 ~ 14) I_{max}=15A Material: Brass

TYPE	Thickness of material (mm)	DIMENSION					color
		b φ	F	D φ	H	L	
EMPD2-156	0.4	4.0	11.0	2.3	10.0	21.0	blue
EMPD 2-196	0.4	5.0	11.0	2.3	10.0	21.0	blue

Conductor section: 4-6mm² (A.W.G12 ~ 10) I_{max}=24A Material: Brass

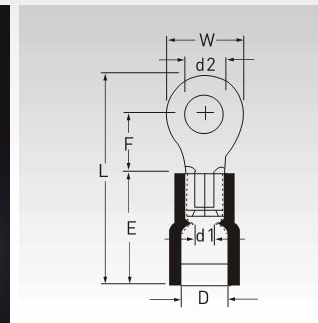
TYPE	Thickness of material (mm)	DIMENSION					color
		b φ	F	D φ	H	L	
EMPD 5-195	0.4	5.0	12.0	3.4	13.0	25.0	yellow





- 1.Maximum Electric Rating:105℃ 600V
- 2.Maximum Electric Current:22-16AWG/0.5-1.5mm²:19A
16-14AWG/1.5-2.5mm²:27A
12-10AWG/4-6mm²:48A
- 3.Terminal Copper
- 4.Insulation:Nylon
- 5.Plating:Tin

Wire Range mm ² /Awg	TYPE	螺柱規格		DIMENSION								Insulation Color
		Stud Size	d2	W	F	L	E	D	d1	T		
0.5~1.5 mm ²	N-RV 1.25-3	#4	3.2(.126)	5.5(.216)	5.0(.197)	18.0(.709)	10.5(.413)	4.1(.161)	1.7(0.67)	0.75(0.30)	red	
	N-RVS 1.25-3.5	#6	3.7(.146)	6.6(.260)	6.3(.248)	20.1(.791)						
	N-RVM 1.25-3.5	#6	3.7(.146)	5.5(.216)	5.0(.197)	18.0(.709)						
	N-RVL 1.25-3.5	#6	3.7(.146)	8.0(.315)	7.0(.276)	21.5(.847)						
	N-RVS 1.25-4	#8	4.3(.169)	8.0(.315)	7.0(.276)	21.5(.847)						
	N-RVL 1.25-4	#8	4.3(.169)	6.6(.260)	6.3(.248)	20.1(.791)						
	N-RVS 1.25-5	#10	5.3(.209)	11.6(.457)	11.0(.433)	27.2(1.071)						
	N-RVL 1.25-5	#10	5.3(.209)	8.0(.209)	7.0(.276)	21.5(.847)						
	N-RV 1.25-6	1/4	6.4(.252)	11.6(.457)	11.0(.433)	27.2(1.071)						
	N-RV 1.25-8	5/16	8.4(.331)	11.6(.457)	11.0(.433)	27.2(1.071)						
N-RV 1.25-10	3/8	10.0(.393)	14.0(.551)	14.5(.571)	32.0(1.22)							
1.5~2.5 mm ²	N-RV 2-3	#4	3.2(.126)	6.6(.261)	6.3(.248)	20.6(.811)	11.0(.433)	4.5(.177)	2.3(.090)	0.8(.031)	blue	
	N-RVS 2-3.5	#6	3.7(.146)	6.6(.261)	6.3(.248)	20.6(.811)						
	N-RVL 2-3.5	#6	3.7(.146)	8.0(.315)	7.0(.276)	22.0(.867)						
	N-RVS 2-4	#8	4.3(.169)	8.0(.315)	7.0(.276)	22.0(.867)						
	N-RVL 2-4	#8	4.3(.169)	9.5(.374)	7.3(.287)	22.8(.898)						
	N-RV 2-5	#10	5.3(.209)	8.0(.315)	7.0(.276)	22.0(.867)						
	N-RV 2-6	1/4	6.4(.252)	11.6(.457)	11.0(.433)	27.7(1.091)						
	N-RV 2-8	5/16	8.4(.331)	11.6(.457)	11.0(.433)	27.7(1.091)						
	N-RV 2-10	3/8	10.0(.393)	14.0(.551)	14.5(.571)	32.0(1.24)						
	4~6 mm	N-RV 5.5-3.5	#6	3.7(.146)	7.2(.283)	6.1(.240)						23.2(.914)
N-RVS 5.5-4		#8	4.3(.169)	9.5(.374)	8.3(.327)	26.3(1.036)						
N-RVL 5.5-4		#8	4.3(.169)	7.2(.283)	6.1(.240)	23.2(.914)						
N-RV 5.5-5		#10	5.3(.209)	9.5(.374)	8.3(.327)	26.3(1.036)						
N-RV 5.5-6		1/4	6.4(.252)	12.0(.472)	10.5(.413)	29.5(1.162)						
N-RV 5.5-8		5/16	8.4(.331)	15.0(.591)	13.5(.534)	34.7(1.366)						
N-RV 5.5-10		3/8	10.0(.393)	15.0(.591)	13.5(.534)	34.7(1.366)						
N-RV 5.5-12		1/2	13.0(.512)	19.0(.748)	16.0(.630)	39.0(1.536)						



- 1.Maximum Electric Rating:105℃ 600V
- 2.Maximum Electric Current:22-16AWG/0.5-1.5mm²:19A
16-14AWG/1.5-2.5mm²:27A
12-10AWG/4-6mm²:48A
- 3.Terminal Copper
- 4.Insulation:Nylon
- 5.Plating:Tin

Wire Range mm ² /Awg	TYPE	螺柱規格		DIMENSION								Insulation Color
		Stud Size	d2	W	F	L	E	D	d1	T		
0.5~1.5 mm ²	N-RV 1.25-3	#4	3.2(.126)	5.5(.216)	5.0(.197)	18.0(.709)	10.5(.413)	4.5(.177)	1.7(0.67)	0.8(0.31)	red	
	N-RVS 1.25-3.5	#6	3.7(.146)	6.6(.260)	6.3(.248)	20.1(.791)						
	N-RVM 1.25-3.5	#6	3.7(.146)	5.5(.216)	5.0(.197)	18.0(.709)						
	N-RVL 1.25-3.5	#6	3.7(.146)	8.0(.315)	7.0(.276)	21.5(.847)						
	N-RVS 1.25-4	#8	4.3(.169)	8.0(.315)	7.0(.276)	21.5(.847)						
	N-RVL 1.25-4	#8	4.3(.169)	6.6(.260)	6.3(.248)	20.1(.791)						
	N-RVS 1.25-5	#10	5.3(.209)	11.6(.457)	11.0(.433)	27.2(1.071)						
	N-RVL 1.25-5	#10	5.3(.209)	8.0(.209)	7.0(.276)	21.5(.847)						
	N-RV 1.25-6	1/4	6.4(.252)	11.6(.457)	11.0(.433)	27.2(1.071)						
	N-RV 1.25-8	5/16	8.4(.331)	11.6(.457)	11.0(.433)	27.2(1.071)						
N-RV 1.25-10	3/8	10.0(.393)	14.0(.551)	14.5(.571)	32.0(1.22)							
1.5~2.5 mm ²	N-RV 2-3	#4	3.2(.126)	6.6(.261)	6.3(.248)	20.1(.791)	11.0(.433)	5.2(.205)	2.3(.091)	0.8(.031)	blue	
	N-RVS 2-3.5	#6	3.7(.146)	6.6(.261)	6.3(.248)	20.1(.791)						
	N-RVL 2-3.5	#6	3.7(.146)	8.0(.315)	7.0(.276)	21.5(.847)						
	N-RVS 2-4	#8	4.3(.169)	8.0(.315)	7.0(.276)	21.5(.847)						
	N-RVL 2-4	#8	4.3(.169)	6.6(.374)	6.3(.248)	20.1(.791)						
	N-RVS 2-5	#10	5.3(.209)	9.5(.374)	7.3(.287)	21.8(.858)						
	N-RVL 2-5	#10	5.3(.209)	8.0(.315)	7.0(.276)	21.5(.847)						
	N-RV 2-6 /	1/4	6.4(.252)	11.6(.457)	11.0(.433)	27.2(1.071)						
	N-RV 2-8	5/16	8.4(.331)	11.6(.457)	11.0(.433)	27.2(1.071)						
	N-RV 2-10	3/8	10.0(.393)	14.0(.551)	14.5(.571)	32.0(1.24)						
4~6 mm ²	N-RV 5.5-3.5	#6	3.7(.146)	7.2(.283)	6.1(.240)	23.2(.914)	13.0(.512)	7.0(.276)	3.5(.137)	1.0(.039)	yellow	
	N-RVS 5.5-4	#8	4.3(.169)	9.5(.374)	8.3(.327)	25.8(1.016)						
	N-RVL 5.5-4	#8	4.3(.169)	7.2(.283)	6.1(.240)	23.3(.914)						
	N-RV 5.5-5	#10	5.3(.209)	9.5(.374)	8.3(.327)	26.2(1.036)						
	N-RV 5.5-6 /	1/4	6.4(.252)	12.0(.472)	10.5(.413)	29.5(1.162)						
	N-RV 5.5-8	5/16	8.4(.331)	15.0(.591)	13.5(.534)	34.7(1.366)						
	N-RV 5.5-10	3/8	10.0(.393)	15.0(.591)	13.5(.534)	34.7(1.366)						
	N-RV 5.5-12 /	1/2	13.0(.512)	19.0(.748)	16.0(.630)	39.0(1.536)						



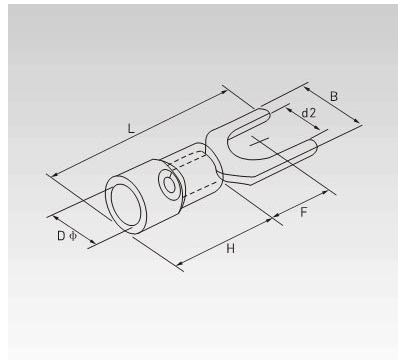
Conductor section:0.5-1.5mm²(A.W.G22 ~16) I_{max}=19A Material: Copper Thickness:0.7mm

TYPE	American Bolt number	d2φ (mm)	DIMENSION					color
			B	L	F	H	Dφ	
			mm	mm	mm	mm	mm	
SV 1.25-3	# 4	3.2	5.7	21.2	6.5	10	4.3	red
SVS 1.25-3.5	# 6	3.7	5.7	21.2	6.5			
SVL 1.25-3.5	# 6	3.7	6.4	21.2	6.5			
SVS 1.25-4	# 8	4.3	6.4	21.2	6.5			
SVM 1.25-4	# 8	4.3	7.2	21.2	6.5			
SVL 1.25-4	# 8	4.3	8.1	21.2	6.5			
SVS 1.25-5	# 10	5.3	8.1	21.2	6.5			
SVL 1.25-5	# 10	5.3	9.5	21.2	6.5			
SVS 1.25-6	1/4	6.4	9.5	21.2	6.5			
SVL 1.25-6	1/4	6.4	12.0	27.2	11.0			



Conductor section:1.5-2.5mm²(A.W.G16 ~14) I_{max}=27A Material: Copper Thickness:0.8mm

TYPE	American Bolt number	d2φ (mm)	DIMENSION					color
			B	L	F	H	Dφ	
			mm	mm	mm	mm	mm	
SV 2-3	# 4	3.2	5.7	21.2	6.5	10	4.9	blue
SVS 2-3.5	# 6	3.7	5.7	21.2	6.5			
SVL 2-3.5	# 6	3.7	6.4	21.2	6.5			
SVS 2-4	# 8	4.3	6.0	21.2	6.5			
SVM 2-4	# 8	4.3	7.2	21.2	6.5			
SVL 2-4	# 8	4.3	8.1	21.2	6.5			
SVS 2-5	# 10	5.3	8.1	21.2	6.5			
SVL 2-5	# 10	5.3	9.5	21.2	6.5			
SVS 2-6	1/4	6.4	9.5	21.2	6.5			
SVL 2-6	1/4	6.4	12.0	27.2	11.0			



Conductor section:2.5-4mm²(A.W.G14 ~12) I_{max}=37A Material: Copper Thickness:1.0mm

TYPE	American Bolt number	d2φ (mm)	DIMENSION					color
			B	L	F	H	Dφ	
			mm	mm	mm	mm	mm	
SV 3.5-3	#4	3.2		24.8	7.0	13.0	6.2	black
SV 3.5-4	#8	4.3		24.8	7.0			
SV 3.5-5	#10	5.3		24.8	7.0			
SV 3.5-6	1/4	6.4		28.0	12.1			

Conductor section:4-6mm²(A.W.G12 ~10) I_{max}=48A Material: Copper Thickness:1.0mm

TYPE	American Bolt number	d2φ (mm)	DIMENSION					color
			B	L	F	H	Dφ	
			mm	mm	mm	mm	mm	
SV 5.5-3.5	# 6	3.7	8.3	26	7.5	13.0	6.7	yellow
SVS 5.5-4	# 8	4.3	8.3	26	7.5			
SVL 5.5-4	# 8	4.3	9.0	26	7.5			
SV 5.5-5	# 10	5.3	9.0	26	7.5			
SVS 5.5-6	1/4	6.4	9.0	26	7.5			
SVL 5.5-6	1/4	6.4	12.0	32	12.0			
SV 5.5-8	5/16	8.4	14.0	37	11.5			



Conductor section:0.5-1.5mm²(A.W.G22 ~16) I_{max}=19A Material: Copper Thickness:0.7mm

TYPE	American Bolt number	d2φ (mm)	DIMENSION					Dφ	dφ
			B	L	F	E			
			mm	mm	mm	mm	mm	mm	
SNB 1.25-3	# 4	3.2	5.7	16.0	6.5	4.8	3.4	1.7	
SNBS 1.25-3.5	# 6	3.7	5.7	16.0	6.5				
SNBL 1.25-3.5	# 6	3.7	6.4	15.5	6.5				
SNBS 1.25-4	# 8	4.3	6.4	15.5	6.5				
SNBM 1.25-4	# 8	4.3	7.2	15.5	6.5				
SNBL 1.25-4	# 8	4.3	8.1	15.5	6.5				
SNBS 1.25-5	# 10	5.3	8.1	15.5	6.5				
SNBL 1.25-5	# 10	5.3	9.5	15.5	6.5				
SNBS 1.25-6	1/4	6.4	9.5	15.5	6.5				
SNBL 1.25-6	1/4	6.4	12.0	22.0	11.0				

Conductor section:1.5-2.5mm²(A.W.G16 ~14) I_{max}=27A Material: Copper Thickness:0.8mm

TYPE	American Bolt number	d2φ (mm)	DIMENSION					Dφ	dφ
			B	L	F	E			
			mm	mm	mm	mm	mm	mm	
SNB 2-3	# 4	3.2	5.7	16.0	6.5	4.8	4.1	2.3	
SNBS 2-3.5	# 6	3.7	5.7	16.0	6.5				
SNBL 2-3.5	# 6	3.7	6.0	16.0	6.5				
SNBS 2-4	# 8	4.3	6.4	16.0	6.5				
SNBM 2-4	# 8	4.3	7.2	16.0	6.5				
SNBL 2-4	# 8	4.3	8.1	16.0	6.5				
SNBS 2-5	# 10	5.3	8.1	16.0	6.5				
SNBL 2-5	# 10	5.3	9.5	16.0	6.5				
SNBS 2-6	1/4	6.4	9.5	16.0	6.5				
SNBL 2-6	1/4	6.4	12.0	22.0	11.0				

Conductor section:2.5-4mm²(A.W.G14 ~12) I_{max}=37A Material: Copper Thickness:1.0mm

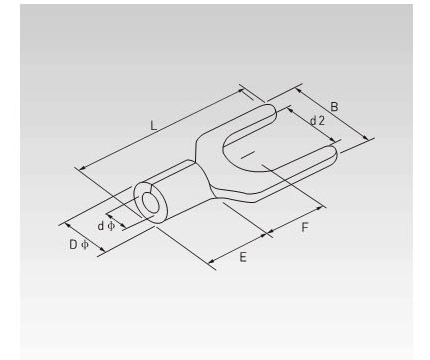
TYPE	American Bolt number	d2φ (mm)	DIMENSION					Dφ	dφ
			B	L	F	E			
			mm	mm	mm	mm	mm	mm	
SNB 3.5-3	# 4	3.2	5.7	18.3	7.0	6.0	5.0	3.0	
SNB 3.5-4	# 8	4.3	8.0	18.3	7.0				
SNB 3.5-5	# 10	5.3	8.0	18.3	7.0				
SNB 3.5-6	1/4	6.4	12.0	21.5	10.5				

Conductor section:4-6mm²(A.W.G12 ~10) I_{max}=48A Material: Copper Thickness:1.0mm

TYPE	American Bolt number	d2φ (mm)	DIMENSION					Dφ	dφ
			B	L	F	E			
			mm	mm	mm	mm	mm	mm	
SNB 5.5-3.5	#6	3.7	8.3	19.5	7.2	6.8	5.6	3.4	
SNBS 5.5-4	#8	4.3	8.3	19.5	7.2				
SNBL 5.5-4	#8	4.3	9.0	19.5	7.5				
SNB 5.5-5	#10	5.3	9.0	19.5	7.5				
SNBS 5.5-6	1/4	6.4	9.0	19.5	7.2				
SNBL 5.5-6	1/4	6.4	12.0	25.5	12.0				
SNB 5.5-8	5/16	8.4	14.0	24.5	11.5				

Material: copper Thickness:1.2mm , 1.4mm , 1.7mm

TYPE	American Bolt number	d2φ (mm)	DIMENSION					Dφ	dφ
			B	L	F	E			
			mm	mm	mm	mm	mm	mm	
SNB 8-4	#8	4.3	8.7	23.0	6.0	8.5	7.2	4.5	
SNB 8-5	#10	5.3	12.0	24.5	5.7	8.5	7.2	4.5	
SNB 8-6	1/4	6.4	12.0	24.5	5.7	8.5	7.2	4.5	
SNB 8-8	5/16	8.4	14.5	28.0	8.3	8.5	7.2	4.5	
SNB 14-6	1/4	6.4	12.0	28.0	7.5	10.5	9.0	5.8	
SNB 14-8	5/16	8.4	14.0	28.0	7.5	10.5	9.0	5.8	
SNB 22-8	5/16	8.4	14.0	34.5	9.0	12.0	11.5	7.7	





Conductor section:0.5-1.5mm²(A.W.G22 ~16)Imax=19A Material:Copper Thickness:0.7mm

TYPE	American Bolt number	d2φ (mm)	DIMENSION					color
			B	L	F	H	Dφ	
			mm	mm	mm	mm	mm	
RV 1.25-3	#4	3.2	5.7	17.6	4.95	10.0	4.3	red
RVS 1.25-3.5	#6	3.7	5.7	17.6	4.95			
RVM 1.25-3.5	#6	3.7	6.6	19.4	6.3			
RVL 1.25-3.5	#6	3.7	8.0	20.8	7.0			
RVS 1.25-4	#8	4.3	6.6	19.4	6.3			
RVL 1.25-4	#8	4.3	8.0	20.8	7.0			
RVS 1.25-5	#10	5.3	8.0	20.8	7.0			
RVL 1.25-5	#10	5.3	9.8	23	8.5			
RVS 1.25-6	1/4	6.4	9.8	23	8.5			
RVL 1.25-6	1/4	6.4	11.6	26.8	11.1			
RV 1.25-8	5/16	8.4	11.6	26.8	11.1			
RV 1.25-10	3/8	10.5	13.6	30.5	13.9			
RV 1.25-12	1/2	13.0	19.2	36	16.5			

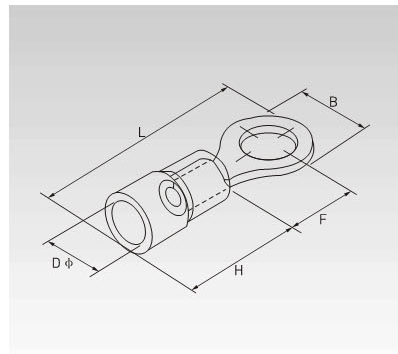
Conductor section:1.5-2.5mm²(A.W.G16 ~ 14)Imax=27A Material:Copper Thickness:0.8mm

TYPE	American Bolt number	d2φ (mm)	DIMENSION					color
			B	L	F	H	Dφ	
			mm	mm	mm	mm	mm	
RV 2-3	#4	3.2	6.6	17.5	4.3	10.0	4.9	blue
RVS 2-3.5	#6	3.7	6.6	17.5	4.3			
RVM 2-3.5	#8	3.7	6.6	21.2	7.0			
RVL 2-3.5	#6	3.7	8.5	22	7.75			
RVS 2-4	#8	4.3	6.6	21.2	7.0			
RVL 2-4	#8	4.3	8.5	22	7.75			
RVS 2-5	#10	5.3	8.5	22	7.75			
RVL 2-5	#10	5.3	9.5	22	7.25			
RVS 2-6	1/4	6.4	12.0	27	11.0			
RV 2-8	5/16	8.4	12.0	27	11.0			
RV 2-10	3/8	10.5	13.6	30.7	13.9			
RV 2-12	1/2	13.0	19.2	36.2	16.5			



Conductor section:2.5-4mm²(A.W.G14 ~ 12)Imax=37A Material:Copper Thickness:1.0mm

TYPE	American Bolt number	d2φ (mm)	DIMENSION					color
			B	L	F	H	Dφ	
			mm	mm	mm	mm	mm	
RV 3.5-4	#8	4.3	8.0	24.5	7.7	13.0	6.2	black
RVS 3.5-5	#10	5.3	8.0	24.5	7.7			
RVL 3.5-5	#10	5.3	12.0	27.9	7.7			
RV 3.5-6	1/4	6.4	12.0	27.9	7.7			



Conductor section:4-6mm²(A.W.G12 ~ 10) Imax=48A Material: Copper Thickness:1.0mm

TYPE	American Bolt number	d2φ (mm)	DIMENSION					color
			B	L	F	H	Dφ	
			mm	mm	mm	mm	mm	
RV 5.5-3.5	#6	3.7	7.2	21.7	5.3	13.0	6.7	yellow
RVS 5.5-4	#8	4.3	7.2	21.7	5.3			
RVL 5.5-4	#8	4.3	9.5	25.8	8.25			
RV 5.5-5	#10	5.3	9.5	25.8	8.25			
RVS 5.5-6	1/4	6.4	12.0	29.35	10.7			
RVL 5.5-6	1/4	6.4	12.0	31.8	13			
RV 5.5-8	5/16	8.4	15.0	34	13.7			
RV 5.5-10	3/8	10.5	15.0	34	13.7			
RV 5.5-12	1/2	13.0	19.2	38.4	16			



Conductor section:0.5-1.5mm²(A.W.G22 ~16)Imax=19A Material: Copper Thickness:0.7mm

TYPE	American Bolt number	d2φ (mm)	DIMENSION					Dφ	dφ
			B	L	F	E			
			mm	mm	mm	mm	mm	mm	
RNB 1.25-3	#4	3.2	5.7	12.6	4.95	4.8	3.4	1.7	
RNBS 1.25-3.5	#6	3.7	5.7	12.6	4.95				
RNBM 1.25-3.5	#6	3.7	6.6	14.4	6.3				
RNBL 1.25-3.5	#6	3.7	8.0	15.8	7.0				
RNBS 1.25-4	#8	4.3	6.6	14.4	6.3				
RNBL 1.25-4	#8	4.3	8.0	15.8	7.0				
RNBS 1.25-5	#10	5.3	8.0	15.8	7.0				
RNBL 1.25-5	#10	5.3	9.8	18.0	8.3				
RNBS 1.25-6	1/4	6.4	9.8	18.8	8.3				
RNBL 1.25-6	1/4	6.4	11.6	21.8	11.2				
RNB 1.25-8	5/16	8.4	11.6	21.8	11.2				
RNB 1.25-10	3/8	10.5	13.6	25.5	13.9				
RNB 1.25-12	1/2	13.0	19.2	31.0	16.5				

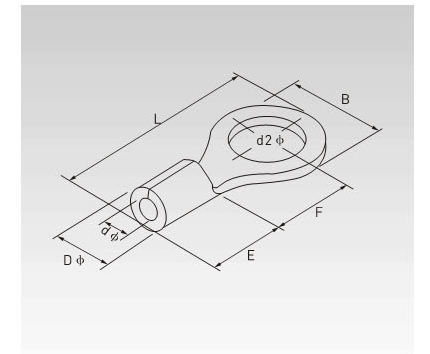
Conductor section:1.5-2.5mm²(A.W.G16 ~ 14) Imax=27A Material: Copper Thickness:0.8mm

TYPE	American Bolt number	d2φ (mm)	DIMENSION					Dφ	dφ
			B	L	F	E			
			mm	mm	mm	mm	mm	mm	
RNB 2-3	#4	3.2	6.6	12.3	4.2	4.8	4.1	2.3	
RNBS 2-3.5	#6	3.7	6.6	12.3	4.2				
RNBM 2-3.5	#6	3.7	6.6	16.0	7.9				
RNBL 2-3.5	#6	3.7	8.5	16.8	7.75				
RNBS 2-4	#8	4.3	6.6	16.0	7.9				
RNBL 2-4	#8	4.3	8.5	16.8	7.75				
RNBS 2-5	#10	5.3	8.5	16.8	7.75				
RNBL 2-5	#10	5.3	9.5	16.8	7.25				
RNB 2-6	1/4	6.4	12.0	21.8	11.0				
RNB 2-8	5/16	8.4	12.0	21.8	11.0				
RNB 2-10	3/8	10.5	13.6	25.5	13.9				
RNB 2-12	1/2	13.0	19.2	31.0	16.5				



Conductor section:2.5-4mm²(A.W.G14 ~ 12) Imax=37A Material: Copper Thickness:1.0mm

TYPE	American Bolt number	d2φ (mm)	DIMENSION					Dφ	dφ
			B	L	F	E			
			mm	mm	mm	mm	mm	mm	
RNB 3.5-4	#8	4.3	8.0	18.0	7.7	6.0	5.0	3.0	
RNBS 3.5-5	#10	5.3	8.0	18.0	7.7				
RNBL 3.5-5	#10	5.3	12.0	21.4	7.7				
RNB 3.5-6	1/4	6.4	12.0	21.4	7.7				



Conductor section:4-6mm²(A.W.G12 ~ 10) Imax=48A Material: Copper Thickness:1.0mm

TYPE	American Bolt number	d2φ (mm)	DIMENSION					Dφ	dφ
			B	L	F	E			
			mm	mm	mm	mm	mm	mm	
RNB 5.5-3.5	#6	3.7	7.2	15.7	5.3	6.8	5.6	3.4	
RNBS 5.5-4	#8	4.3	7.2	15.7	5.3				
RNBL 5.5-4	#8	4.3	9.5	19.8	8.25				
RNB 5.5-5	#10	5.3	9.5	19.8	8.25				
RNBS 5.5-6	1/4	6.4	12.0	23.35	10.7				
RNBL 5.5-6	1/4	6.4	12.0	25.8	13.0				
RNB 5.5-8	5/16	8.4	15.0	28.0	13.7				
RNB 5.5-10	3/8	10.5	15.0	28.0	13.7				
RNB 5.5-12	1/2	13.0	19.2	32.4	16.0				



Conductor section:6-10mm²(A.W.G8) I_{max}=62A Material: Copper Thickness:1.2mm

TYPE	American Bolt number	d2φ (mm)	DIMENSION					
			B	L	F	E	Dφ	dφ
RNB 8-4	#8	4.3	8.8	23.8	9.3	8.5	7.2	4.5
RNBS 8-5	#10	5.3	8.8	23.8	11.1			
RNBM 8-5	#10	5.3	12.0	23.8	9.3			
RNBL 8-5	#10	5.3	15.0	29.8	13.8			
RNBS 8-6	1/4	6.4	12.0	23.8	9.3			
RNBL 8-6	1/4	6.4	15.0	29.8	13.8			
RNB 8-8	5/16	8.4	15.0	29.8	13.8			
RNB 8-10	3/8	10.5	15.0	29.8	13.8			
RNB 8-12	1/2	13.0	20.0	33.5	15.0			

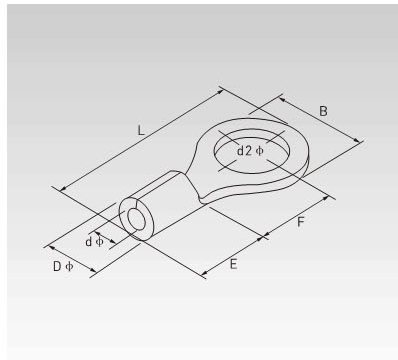
Conductor section:10-16mm²(A.W.G6) I_{max}=88A Material: Copper Thickness:1.4mm

TYPE	American Bolt number	d2φ (mm)	DIMENSION					
			B	L	F	E	Dφ	dφ
RNB 14-4	#8	4.3	12.0	29.8	13.3	10.5	9.5	5.8
RNB 14-5	#10	5.3	12.0	29.8	13.3			
RNBS 14-6	1/4	6.4	12.0	29.8	13.3			
RNBL 14-6	1/4	6.4	16.0	32.8	13.3			
RNB 14-8	5/16	8.4	16.0	31.8	13.3			
RNB 14-10	3/8	10.5	16.0	31.8	13.3			
RNB 14-12	1/2	13.0	22.0	41.0	19.5			



Conductor section:16-25mm²(A.W.G4)I_{max}=115A Material: Copper Thickness:1.8mm

TYPE	American Bolt number	d2φ (mm)	DIMENSION					
			B	L	F	E	Dφ	dφ
RNBS 22-5	#10	4.3	12.2	33.2	15.1	12.0	11.5	7.7
RNBL 22-5	#10	5.3	16.5	33.7	13.5			
RNBS 22-6	1/4	6.4	12.2	33.2	15.1			
RNBL 22-6	1/4	6.4	16.5	33.7	13.5			
RNB 22-8	5/16	8.4	16.5	33.7	13.5			
RNB 22-10	3/8	10.5	16.5	33.7	13.5			
RNB 22-11	7/16	11.5	22.0	42.5	19.5			
RNB 22-12	1/2	13.0	22.0	42.5	19.5			



Conductor section:35-50mm²(A.W.G2)I_{max}=160A Material: Copper Thickness:1.8mm

TYPE	American Bolt number	d2φ (mm)	DIMENSION					
			B	L	F	E	Dφ	dφ
RNB 38-5	#10	5.3	15.3	39.0	17.4	14.0	13.3	9.4
RNB 38-6	1/4	6.4	15.3	39.0	17.4			
RNBS 38-8	5/16	8.4	15.3	39.0	17.4			
RNBL 38-8	5/16	8.4	22.0	42.7	17.7			
RNBS 38-10	3/8	10.5	15.3	39.0	17.4			
RNBL 38-10	3/8	10.5	22.0	42.7	17.7			
RNB 38-11	7/16	11.5	22.0	42.7	17.7			
RNB 38-12	1/2	13.0	22.0	42.7	17.7			



Conductor section:50-70mm²(A.W.G1/0) I_{max}=215A Material: Copper Thickness:1.8mm

TYPE	American Bolt number	d2φ (mm)	DIMENSION					
			B	L	F	E	Dφ	dφ
RNB 60-6	1/4	6.4	22.0	49.7	20.7	18.0	15.4	11.4
RNB 60-8	5/16	8.4						
RNB 60-10	3/8	10.5						
RNB 60-11	7/16	11.5						
RNB 60-12	1/2	13.0						
RNB 60-14	9/16	15.0						
RNB 60-16	5/8	17.0						
RNB 60-18	11/16	19.0						
RNB 60-20	3/4	21.0						
RNB 60-22	7/8	23.0						



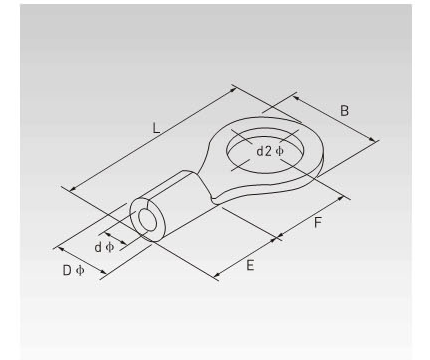
Conductor section:70-95mm²(A.W.G2/0) I_{max}=235A Material: Copper Thickness:2.0mm

TYPE	American Bolt number	d2φ (mm)	DIMENSION					
			B	L	F	E	Dφ	dφ
RNB 70-6	1/4	6.4	24.0	51.0	20.0	19.0	17.5	13.3
RNB 70-8	5/16	8.4						
RNB 70-10	3/8	10.5						
RNB 70-11	7/16	11.5						
RNB 70-12	1/2	13.0						
RNB 70-14	9/16	15.0						
RNB 70-16	5/8	17.0						
RNB 70-18	11/16	19.0						
RNB 70-20	3/4	21.0						
RNB 70-22	7/8	23.0						



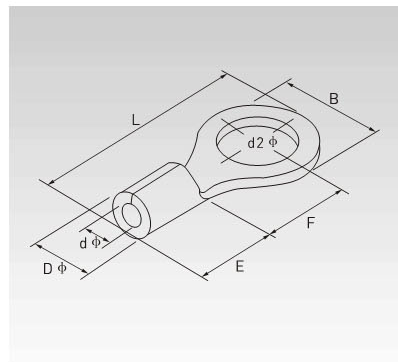
Conductor section:95-120mm²(A.W.G3/0)I_{max}=255A Material: Copper Thickness:2.2mm

TYPE	American Bolt number	d2φ (mm)	DIMENSION					
			B	L	F	E	Dφ	dφ
RNB 80-6	1/4	6.4	27.0	54.2	20.7	20.0	19.5	14.5
RNB 80-8	5/16	8.4						
RNB 80-10	3/8	10.5						
RNB 80-11	7/16	11.5						
RNB 80-12	1/2	13.0						
RNB 80-14	9/16	15.0						
RNB 80-16	5/8	17.0						
RNB 80-18	11/16	19.0						
RNB 80-20	3/4	21.0						
RNB 80-22	7/8	23.0						



Conductor section:120-150mm²(A.W.G4/0) I_{max}=300A Material: Copper Thickness:2.5mm

TYPE	American Bolt number	d2φ (mm)	DIMENSION					
			B	L	F	E	Dφ	dφ
RNB 100-6	1/4	6.4	28.5	55.6	20.4	21.0	22.1	16.4
RNB 100-8	5/16	8.4						
RNB 100-10	3/8	10.5						
RNB 100-11	7/16	11.5						
RNB 100-12	1/2	13.0						
RNB 100-14	9/16	15.0						
RNB 100-16	5/8	17.0						
RNB 100-18	11/16	19.0						
RNB 100-20	3/4	21.0						
RNB 100-22	7/8	23.0						



Conductor section:150-185mm²(A.W.G250/300MCB)Imax=395A Material: Copper Thickness:3.2mm

TYPE	American Bolt number	d2φ (mm)	DIMENSION					E	Dφ	dφ
			B	L	F	E	Dφ			
RNB 150-8	5/16	8.4								
RNB 150-10	3/8	10.5								
RNB 150-11	7/16	11.5	36.0	66.0	23.0					
RNB 150-12	1/2	13.0								
RNB 150-14	9/16	15.0				27.0	26.6	19.5		
RNB 150-16	5/8	17.0								
RNB 150-18	11/16	19.0								
RNB 150-20	3/4	21.0	36.0	81.0	36.0					
RNB 150-22	7/8	23.0								
RNB 150-24	15/16	25.0								
RNB 150-27	1	28.0								

Conductor section:185-240mm²(A.W.G300/350MCB)Imax=440A Material: Copper Thickness:3.5mm

TYPE	American Bolt number	d2φ (mm)	DIMENSION					E	Dφ	dφ
			B	L	F	E	Dφ			
RNB 180-8	5/16	8.4								
RNB 180-10	3/8	10.5								
RNB 180-11	7/16	11.5	38.5	69.0	24.5					
RNB 180-12	1/2	13.0								
RNB 180-14	9/16	15.0				28.5	28.6	21.0		
RNB 180-16	5/8	17.0								
RNB 180-18	11/16	19.0								
RNB 180-20	3/4	21.0	38.5	86.6	39.5					
RNB 180-22	7/8	23.0								
RNB 180-24	15/16	25.0								
RNB 180-27	1	28.0								

Conductor section:240-300mm²(A.W.G400/500MCB)Imax=470A Material: Copper Thickness:3.9mm

TYPE	American Bolt number	d2φ (mm)	DIMENSION					E	Dφ	dφ
			B	L	F	E	Dφ			
RNB 200-8	5/16	8.4								
RNB 200-10	3/8	10.5								
RNB 200-11	7/16	11.5	44.0	72.0	24.5					
RNB 200-12	1/2	13.0								
RNB 200-14	9/16	15.0				31.5	32.6	24.0		
RNB 200-16	5/8	17.0								
RNB 200-18	11/16	19.0								
RNB 200-20	3/4	21.0	44.0	91.0	37.5					
RNB 200-22	7/8	23.0								
RNB 200-24	15/16	25.0								
RNB 200-27	1	28.0								

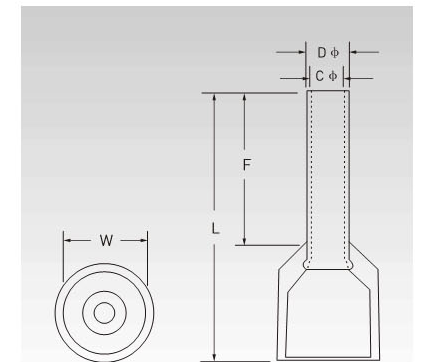
Conductor section:300-400mm²(A.W.G500/600MCB)Imax=650A Material: Copper Thickness:4.2mm

TYPE	American Bolt number	d2φ (mm)	DIMENSION					E	Dφ	dφ
			B	L	F	E	Dφ			
RNB 325-8	5/16	8.4								
RNB 325-10	3/8	10.5								
RNB 325-11	7/16	11.5	50.5	88.0	33.5					
RNB 325-12	1/2	13.0								
RNB 325-14	9/16	15.0				35.5	37.1	28.0		
RNB 325-16	5/8	17.0								
RNB 325-18	11/16	19.0								
RNB 325-20	3/4	21.0	50.5	105.7	45.0					
RNB 325-22	7/8	23.0								
RNB 325-24	15/16	25.0								
RNB 325-27	1	28.0								



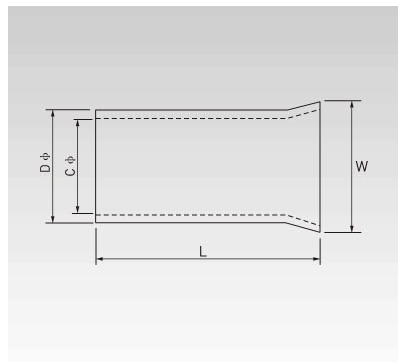
Umax:105°C Ui=300V Material:Copper Pipe Insulating Material:Nylon(多種顏色)

TYPE	DIMENSION						mm ²	Color of insulation sheath(Top)Germany (Bottom)France
	F	L	W	Dφ	Cφ	A.W.G		
E 0506	6.0	12.0						
E 0508	8.0	14.0						
E 0510	10.0	16.0	2.6	1.3	1.0	#22	0.5	Orange white
E 0512	12.0	18.0						
E 7506	6.0	12.4						
E 7508	8.0	14.6						
E 7510	10.0	16.4	2.8	1.5	1.2	#20	0.75	white blue
E 7512	12.0	18.4						
E 1006	6.0	12.4						
E 1008	8.0	14.6						
E 1010	10.0	16.4	3.0	1.7	1.4	#18	1.0	yellow red
E 1012	12.0	18.4						
E 1508	8.0	14.6						
E 1510	10.0	16.4						
E 1512	12.0	18.4	3.5	2.0	1.7	#16	1.5	red black
E 1518	18.0	24.4						
E 2508	8.0	15.2						
E 2510	10.0	17.2						
E 2512	12.0	19.2	4.0	2.6	2.3	#14	2.5	blue gray
E 2518	18.0	25.2						
E 4009	9.0	16.5						
E 4012	12.0	19.5	4.4	3.2	2.8	#12	4.0	gray orange
E 4018	18.0	25.5						
E 6010	10.0	18.0						
E 6012	12.0	20.0	6.3	3.9	3.5	#10	6.0	black green
E 6018	18.0	26.0						
E 10-12	12.0	21.5	7.6	4.9	4.5	#7	10.0	ivory brown
E 10-18	18.0	27.5						
E 16-12	12.0	22.2						
E 16-18	18.0	28.2	8.8	6.2	5.8	#5	16.0	green ivory
E 25-16	16.0	29.0						
E 25-22	22.0	35.0	11.2	7.9	7.5	#4	25.0	brown black
E 35-16	16.0	30.0						
E 35-25	25.0	39.0	12.7	8.7	8.3	#2	35.0	dust-colour
E 50-20	20.0	36.0						
E 50-25	25.0	41.0	15.3	10.9	10.3	#1	50.0	olives color





Umax:1 Ui=300V Material:Copper Pipe

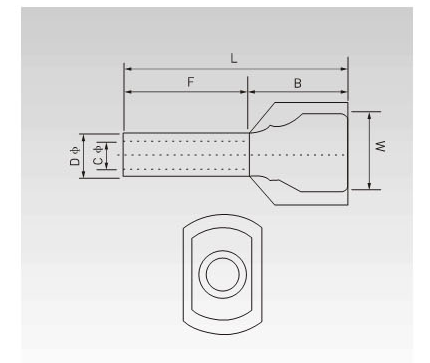


TYPE	DIMENSION				A.W.G	Conductor section mm ²
	L mm	Dφ mm	Cφ mm	W mm		
EN 0506	6.0					
EN 0508	8.0					
EN 0510	10.0	1.3	1.0	1.7	#22	0.5
EN 0512	12.0					
EN 7506	6.0					
EN 7508	8.0	1.5	1.2	1.9	#20	0.75
EN 7510	10.0					
EN 7512	12.0					
EN 1006	6.0					
EN 1008	8.0					
EN 1010	10.0	1.8	1.4	2.2	#18	1.0
EN 1012	12.0					
EN 1507	7.0					
EN 1508	8.0					
EN 1510	10.0	2.0	1.7	2.5	#16	1.5
EN 1512	12.0					
EN 1518	18.0					
EN 2507	7.0					
EN 2508	8.0					
EN 2510	10.0	2.6	2.2	3.3	#14	2.5
EN 2512	12.0					
EN 2518	18.0					
EN 4009	9.0					
EN 4012	12.0	3.2	2.8	3.9	#12	4.0
EN 4018	18.0					
EN 6010	10.0					
EN 6012	12.0					
EN 6015	15.0	3.9	3.5	4.8	#10	6.0
EN 6018	18.0					
EN 10-12	12.0					
EN 10-15	15.0	4.9	4.5	5.8	#7	10.0
EN 10-18	18.0					
EN 16-12	12.0					
EN 16-15	15.0	6.2	5.8	7.2	#5	16.0
EN 16-18	18.0					
EN 25-16	16.0					
EN 25-22	22.0	7.9	7.5	9.1	#4	25.0
EN 35-16	16.0					
EN 35-25	25.0	8.7	8.3	10.2	#2	35.0
EN 50-20	20.0					
EN 50-25	25.0	10.9	10.3	12.4	#1	50.0



Umax:105°C Ui=300V Material:Copper Pipe Insulating Cover Material:Nylon

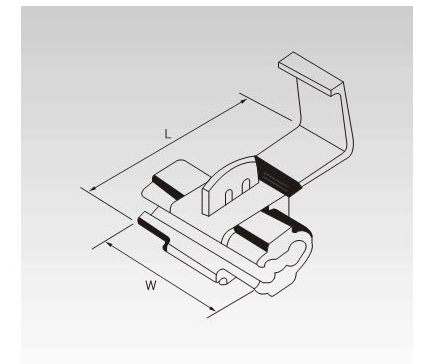
TYPE	Conductor mm ²	DIMENSION						Color	
		F mm	L mm	W mm	B mm	Dφ mm	Cφ mm	German	French
TE 0508	2 × 0.5	8.0	14.5	5.0	6.5	1.8	1.5	White	White
TE 7508	2 × 0.75	8.0	14.7	5.5	6.7	2.1	1.8	blue	gray
TE 7510	2 × 0.75	10.0	16.7	5.5	6.7	2.1	1.8		
TE 1008	2 × 1.0	8.0	15.1	5.5	7.1	2.3	2.0	red	red
TE 1010	2 × 1.0	10.0	17.1	5.5	7.1	2.3	2.0		
TE 1508	2 × 1.5	8.0	15.5	6.4	7.2	2.6	2.3	black	blue
TE 1512	2 × 1.5	12.0	19.5	6.4	7.5	2.6	2.3		
TE 2510	2 × 2.5	10.0	18.5	8.0	8.5	3.3	2.9	gray	blue
TE 2513	2 × 2.5	13.0	21.5	8.0	8.5	3.3	2.9		
TE 4012	2 × 4.0	12.0	23.1	8.8	11.1	4.2	3.8	orange	gray
TE 6014	2 × 6.0	14.0	26.1	9.5	12.1	5.3	4.9	green	yellow
TE 10-14	2 × 10.0	14.0	26.6	12.6	12.0	6.9	6.5	brown	red
TE 16-14	2 × 16.0	14.0	31.3	19.0	17.3	8.7	8.3	ivory	blue

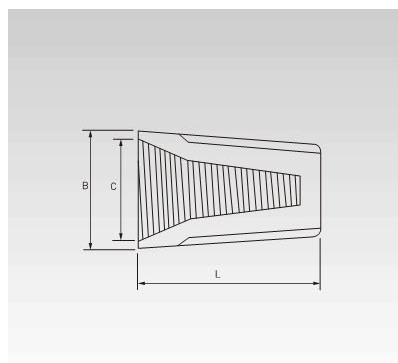
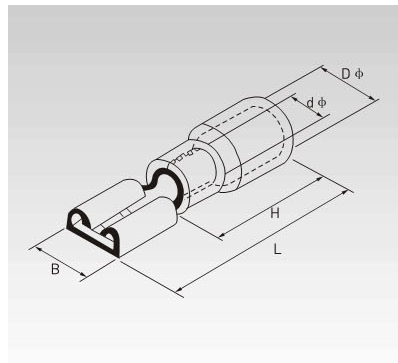


FAST CONNECTING JOINT

Imax:22-18 A.W.G:10 18-14 A.W.G:15A 12-10A.W.G24A
Umax:105°C Ui=600V Material:brass Insulating Material:PP

TYPE	DIMENSION		A.W.G mm ²	Color
	W mm	L mm		
878100	20.0	27.0	22-18A.W.G 0.5-1.0 mm ²	red
878101	20.0	27.0	18-14A.W.G 0.75-2.5 mm ²	blue
878101	20.0	27.0	18-14A.W.G 0.75-2.5 mm ²	white
878100	20.5	34.5	12-10A.W.G 4-6 mm ²	yellow





Conductor section:0.5-1.5mm²(A.W.G22~16) I_{max}=10A Material:Brass

TYPE	Nema Tab mm	Thickness of material	DIMENSION					Color
			B mm	Dφ mm	dφ mm	L mm	H mm	
FDD 1.25-110(5)	0.5 × 2.8	0.3	3.8	3.8	1.7	19.0	10.0 red	
FDD 1.25-110(8)	0.8 × 2.8	0.3	3.8	3.8	1.7	19.0		
FDD 1.25-187(5)	0.5 × 4.75	0.35	5.6	3.8	1.7	19.0		
FDD 1.25-187(8)	0.8 × 4.75	0.35	5.6	3.8	1.7	19.0		
FDD 1.25-205	0.5 × 5.2	0.35	6.5	3.8	1.7	20.0		
FDD 1.25-250	0.8 × 6.35	0.4	7.4	3.8	1.7	21.0		

Conductor section:1.5-2.5mm²(A.W.G16~14) I_{max}=15A Material: Brass

TYPE	Nema Tab mm	Thickness of material	DIMENSION					Color
			B mm	Dφ mm	dφ mm	L mm	H mm	
FDD 2-110(5)	0.5 × 2.8	0.3	3.8	4.3	2.3	19.0	10.0 blue	
FDD 2-110(8)	0.8 × 2.8	0.3	3.8	4.3	2.3	19.0		
FDD 2-187(5)	0.5 × 4.75	0.35	5.6	4.3	2.3	19.0		
FDD 2-187(8)	0.8 × 4.75	0.35	5.6	4.3	2.3	19.0		
FDD 2-205	0.5 × 5.2	0.35	6.5	4.3	2.3	20.0		
FDD 2-250	0.8 × 6.35	0.4	7.4	4.3	2.3	21.0		

Conductor section:4-6mm²(A.W.G12~10) I_{max}=24A Material: Brass

TYPE	Nema Tab mm	Thickness of material	DIMENSION					Color
			B mm	Dφ mm	dφ mm	L mm	H mm	
FDD 5.5-250	0.8 × 6.35	0.4	7.4	5.7	3.4	25.0	13.0 yellow	
FDD 5.5-375	1.2 × 9.4	0.5	10.9	5.7	3.4	29.6		

WIRE CONNECTOR

TYPE	Lead combination range	Thickness of material	DIMENSION			Color
			B mm	C mm	L mm	
P71	Min0.75 × 1+0.5 × 1	Max1.5 × 2	8.5	3.5	14.7	gray
P72	Min0.75 × 3	Max1.5 × 3	10.1	6.5	17.5	blue
P73	Min0.75 × 3	Max1.5 × 3+1 × 1	11.2	8.0	21.4	orange
P74	Min0.25 × 1+0.75 × 1	Max2.5 × 4+0.75 × 1	13.7	7.5	23.6	yellow
P75	Min0.25 × 2	Max6 × 3+4 × 2	16.0	7.0	26.5	red
SP1	Min18 × 2	Max 12 × 3	19.0	12.5	22.0	yellow
SP2	Min14 × 2	Max 10 × 4	22.0	15	29.0	red



Conductor section:0.5-1.5mm²(A.W.G22~16) I_{max}=10A Material: Brass

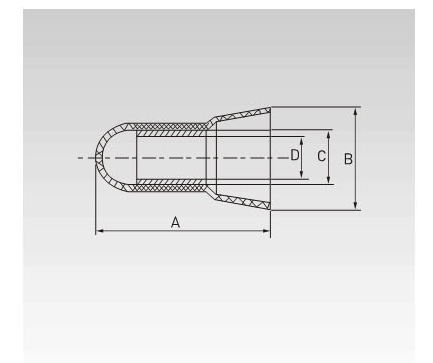
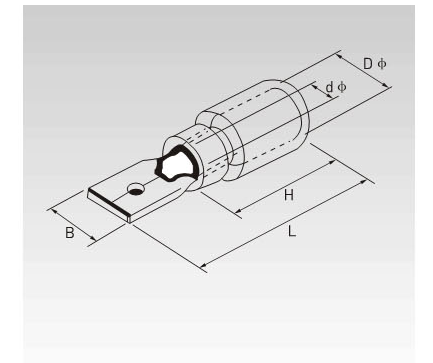
TYPE	Nema Tab mm	Thickness of material	DIMENSION					Color
			B mm	Dφ mm	dφ mm	L mm	H mm	
MDD 1.25-110(5)	0.5 × 2.8	0.5	2.8	4.3	1.7	17.7	10.0 red	
MDD 1.25-110(8)	0.8 × 2.8	0.8	2.8	4.3	1.7	17.7		
MDD 1.25-187(5)	0.5 × 4.75	0.5	4.75	4.3	1.7	20.0		
MDD 1.25-187(8)	0.8 × 4.75	0.8	4.75	4.3	1.7	20.0		
MDD 1.25-250	0.8 × 6.35	0.4 × 2	6.35	4.3	1.7	21.0		

Conductor section:1.5-2.5mm²(A.W.G16~14) I_{max}=15A Material: Brass

TYPE	Nema Tab mm	Thickness of material	DIMENSION					Color
			B mm	Dφ mm	dφ mm	L mm	H mm	
MDD 2-187(5)	0.5 × 4.75	0.5	4.75	4.3	2.3	20.0	10.0 blue	
MDD 2-187(8)	0.8 × 4.75	0.8	4.75	4.3	2.3	20.0		
MDD 2-250	0.8 × 6.35	0.4 × 2	6.35	4.3	2.3	21.0		

Conductor section:4-6mm²(A.W.G12~10) I_{max}=24A Material: Brass

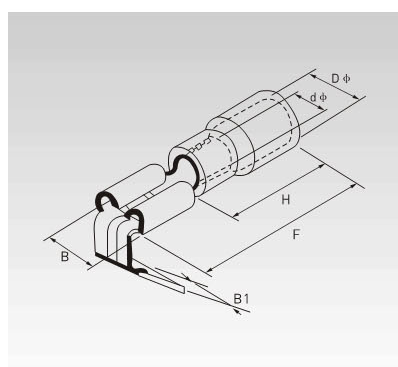
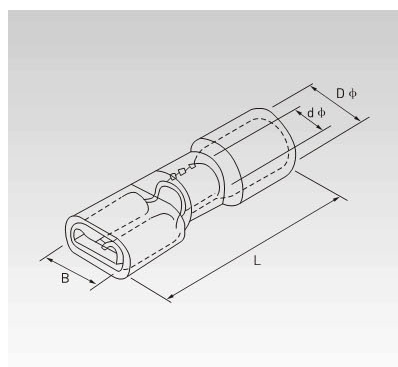
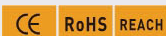
TYPE	Nema Tab mm	Thickness of material	DIMENSION					Color
			B mm	Dφ mm	dφ mm	L mm	H mm	
MDD 5.5-250	0.8 × 6.35	0.4 × 2	6.35	5.7	3.4	25.0	13.0 yellow	



CLOSE-END WIRE CONNECTOR

Shell material: Nylon 66,94V-2,certificated agree by UL.
Usage:Peel the coat of wire, then insert to tube,use pincers to fix them.
Feature:Nylon shell,long copper tube,easy to conduct electricity and hold wire tightly.

TYPE	Nema Tab mm	W(mm)		D(mm)	Suitable Wires		Packing
		B mm	C mm		mm ²	AWG	
φ3	17.8	7.2	3.6	2.5	1.25	22-16	100PCS&1000PCS
φ4	21.0	8.2	4.0	2.9	2.0	16-14	
φ5	22.5	9.0	4.8	3.9	5.5	12-10	
φ6	25.0	10.0	5.6	4.5	8.0	8	100PCS&500PCS
φ7	24.2	11.0	6.5	5.4	10	8-6	
φ8	25.6	11.8	7.5	6.0	13	6	100PCS
φ10	29.5	13.5	9.3	7.5	16	4	



Conductor section:0.5-1.5mm²[A.W.G22 ~16] I_{max}=10A Material: Brass

TYPE	Nema Tab mm	DIMENSION			
		B	Dφ	dφ	L
		mm	mm	mm	mm
FDFD 1.25-187(5)	0.5 × 4.75	5.6	3.8	1.7	20.0
FDFD 1.25-187(8)	0.8 × 4.75	5.6	3.8	1.7	20.0
FDFD 1.25-250	0.8 × 6.35	7.4	3.8	1.7	21.5

Conductor section:1.5-2.5mm²[A.W.G16 ~14] I_{max}=15A Material: Brass

TYPE	Nema Tab mm	DIMENSION			
		B	Dφ	dφ	L
		mm	mm	mm	mm
FDFD 2-187(5)	0.5 × 4.75	5.6	4.3	2.3	20.0
FDFD 2-187(8)	0.8 × 4.75	5.6	4.3	2.3	20.0
FDFD 2-250	0.8 × 6.35	7.4	4.3	2.3	21.5

Conductor section:4-6mm²[A.W.G12 ~ 10] I_{max}=24A Material:Brass

TYPE	Nema Tab mm	DIMENSION			
		B	Dφ	dφ	L
		mm	mm	mm	mm
FDFD 5.5-250	0.8 × 6.35	7.4	5.7	3.4	25.5

SHOULDER SHAPED MALE&FEMALE PRE-INSULATING JOINT

Conductor section:0.5-1.5mm²[A.W.G22 ~16] I_{max}=10A Material:Brass

TYPE	Nema Tab mm	DIMENSION					
		B	B1	H	Dφ	dφ	L
		mm	mm	mm	mm	mm	mm
FBDD 1.25-250	0.8 × 6.35	7.4	6.35	10.0	3.8	1.7	21.5

Conductor section:1.5-2.5mm²[A.W.G16 ~14] I_{max}=15A Material:Brass

TYPE	Nema Tab mm	DIMENSION					
		B	B1	H	Dφ	dφ	L
		mm	mm	mm	mm	mm	mm
FBDD 2-250	0.8 × 6.35	7.4	6.35	10.0	4.3	2.3	21.5

Conductor section:4-6mm²[A.W.G12 ~ 10] I_{max}=24A Material:Brass

TYPE	Nema Tab mm	DIMENSION					
		B	B1	H	Dφ	dφ	L
		mm	mm	mm	mm	mm	mm
FBDD 5.5-250	0.8 × 6.35	7.4	6.35	13.0	5.7	3.4	25.0



Conductor section:0.5-1.5mm²[A.W.G22 ~16] I_{max}=19A Material:Copper Thickness:0.75mm

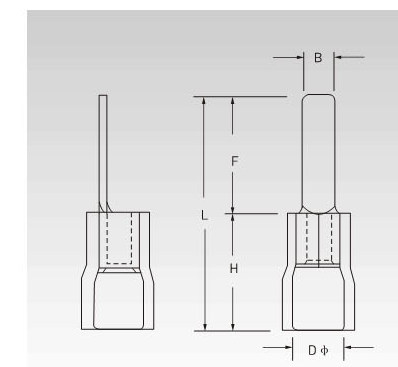
TYPE	DIMENSION					Color
	B	L	F	H	Dφ	
	mm	mm	mm	mm	mm	
DBV 1.25-10	2.4	20.0	10.0	10.0	4.3	red
DBV 1.25-11	2.4	21.0	11.0			
DBV 1.25-14	2.4	24.0	14.0			
DBV 1.25-18	2.4	28.0	18.0			

Conductor section:1.5-2.5mm²[A.W.G16 ~14] I_{max}=27A Material:Copper Thickness:0.8mm

TYPE	DIMENSION					Color
	B	L	F	H	Dφ	
	mm	mm	mm	mm	mm	
DBV 2-10	2.5	19.0	9.9	10.0	4.9	blue
DBV 2-14	2.5	24.0	14.0			
DBV 2-18	2.5	28.0	18.0			

Conductor section:4-6mm²[A.W.G12 ~ 10] I_{max}=48A Material: Copper Thickness:1.0mm

TYPE	DIMENSION					Color
	B	L	F	H	Dφ	
	mm	mm	mm	mm	mm	
DBV 5.5-10	2.8	22.5	10.0	13.0	5.6	yellow
DBV 5.5-14	4.5	26.5	14.0			
DBV 5.5-18	4.5	30.5	18.0			



CHIP-SHAPED NAKED TERMINAL

Conductor section:0.5-1.5mm²[A.W.G22 ~16] I_{max}=19A Material:Copper Thickness:0.75mm

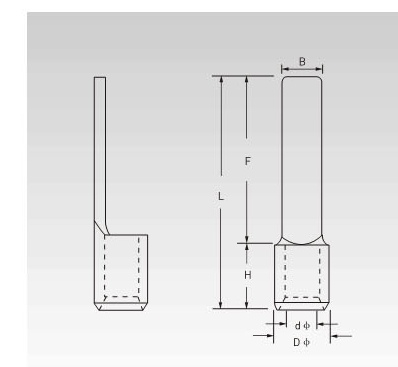
TYPE	DIMENSION					
	B	L	F	E	Dφ	dφ
	mm	mm	mm	mm	mm	mm
DBN 1.25-10	2.4	14.8	10.0	4.8	3.4	1.7
DBN 1.25-11	2.4	15.8	11.0			
DBN 1.25-14	2.4	18.8	14.0			
DBN 1.25-18	2.4	22.8	18.0			

Conductor section:1.5-2.5mm²[A.W.G16 ~14] I_{max}=27A Material:Copper Thickness:0.8mm

TYPE	DIMENSION					
	B	L	F	E	Dφ	dφ
	mm	mm	mm	mm	mm	mm
DBN 2-9	2.5	14.6	9.9	4.8	4.1	2.3
DBN 2-18	2.5	22.8	18.0			

Conductor section:4-6mm²[A.W.G12 ~ 10] I_{max}=48A Material:Copper Thickness:1.0mm

TYPE	DIMENSION					
	B	L	F	E	Dφ	dφ
	mm	mm	mm	mm	mm	mm
DBN 5.5-10	2.8	14.8	10.0	6.0	5.6	3.4
DBN 5.5-14	4.5	21.0	14.0			
DBN 5.5-18	4.5	23.0	18.0			
DBN 8-14	5.0	22.5	14.0	8.5	7.2	4.5
DBN 14-16	6.0	30.6	16.0	14.0	9.0	6.5





Material: Copper Insulating Material:PVC

TYPE	Conductor section		DIMENSION			Imax	Color
	AWG	mm ²	l	dφ	L		
BV 1.25	22-16	0.5-1.5	15.0	1.7	26.0	19A	red
BV 2	16-14	1.5-2.5	15.0	2.3	26.0	27A	blue
BV 5.5	12-10	4-6	15.0	3.4	26.0	48A	yellow
BV 8	#8	6-10	21.0	4.5	32.0	62A	red
BV 14	#6	10-16	26.0	5.8	42.0	88A	blue
BV 22	#4	16-25	29.0	7.7	50.0	115A	yellow
BV 38	#2	35-50	32.0	9.4	55.0	160A	red

SHORT FULL INSULATING MIDDLE JOINT(TYPE TL-JTK)

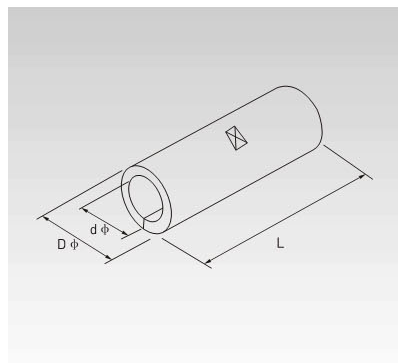
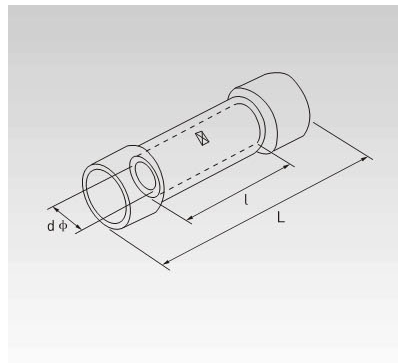
Material: Copper Insulating Material:PVC

TYPE	Conductor section		DIMENSION			Imax	Color
	AWG	mm ²	l	dφ	L		
PVT 1.25	22-16	0.5-1.5	8.0	1.7	16.0	19A	red
PVT 2	16-14	1.5-2.5	8.0	2.3	16.0	27A	blue
PVT 5.5	12-10	4-6	8.0	3.4	20.5	48A	yellow

NAKED TERMINAL IN THE MIDDLE

Material: Copper

TYPE	Conductor section		DIMENSION		
	AWG	mm ²	Dφ	dφ	L
BN 1.25	22-16	0.5-1.5	3.3	1.7	15.0
BN 2	16-14	1.5-2.5	4.0	2.3	15.0
BN 3.5	14-12	2.5-4	5.0	3.0	15.0
BN 5.5	12-10	4-6	5.5	3.4	15.0
BN 8	#8	10	7.1	4.5	21.0
BN 14	#6	16	9.0	5.8	26.0
BN 22	#4	25	11.4	7.7	29.0
BN 38	#2	35	13.3	9.4	32.0
BN 60	1/0	50	15.4	11.4	36.0
BN 70	2/0	70	17.5	13.3	37.0
BN 80	3/0	95	19.4	14.5	38.0
BN 100	4/0	120	22.0	16.4	38.0
BN 150	250-300MCM	150	26.5	19.5	54.0
BN 180	300-354MCM	185	28.5	21.0	57.0
BN 200	400MCM	240	32.5	24.0	63.0
BN 325	500-600MCM	300	37.0	28.0	72.0



Conductor section:0.5-1.5mm²(A.W.G22 ~ 16) Imax=10A Material: Brass

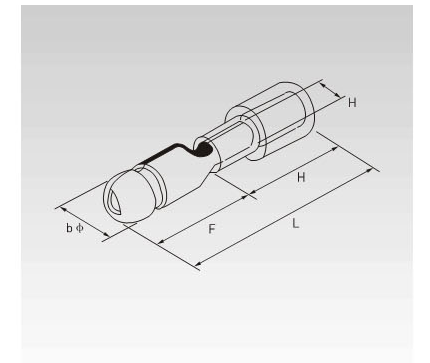
TYPE	Thickness of material	DIMENSION					Color
		bφ	F	Dφ	H	L	
MPD 1.25-156	0.4	4.0	11.0	1.7	10.0	21.0	red

Conductor section:1.5-2.5mm²(A.W.G16 ~ 14) Imax=15A Material:Brass

TYPE	Thickness of material	DIMENSION					Color
		bφ	F	Dφ	H	L	
MPD 2-156	0.4	4.0	11.0	2.3	10.0	21.0	blue
MPD 2-196	0.4	5.0	11.0	2.3	10.0	21.0	blue

Conductor section:4-6mm²(A.W.G12 ~ 10) Imax=24A Material:Brass

TYPE	Thickness of material	DIMENSION					Color
		bφ	F	Dφ	H	L	
MPD 5.5-195	0.4	5.0	12.0	3.4	13.0	25.0	yellow



BULLET SHAPED FEMALE INSULATING JOINT

Conductor section:0.5-1.5mm²(A.W.G22 ~ 16) Imax=10A Material:Brass

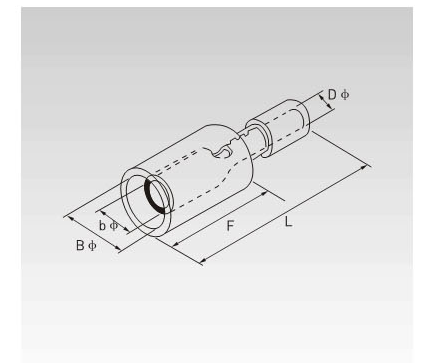
TYPE	Thickness of material	DIMENSION					Color
		bφ	Bφ	Dφ	H	L	
FRD 1.25-156	0.4	4.0	6.3	1.7	13.0	24.5	red

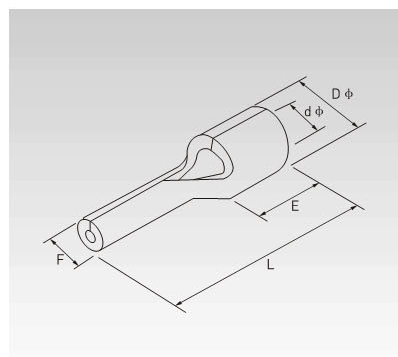
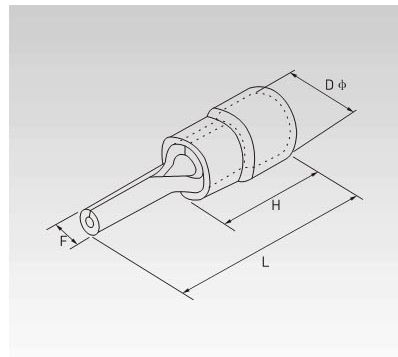
Conductor section:1.5-2.5mm²(A.W.G16 ~ 14)Imax=15A Material:Brass

TYPE	Thickness of material	DIMENSION					Color
		bφ	Bφ	Dφ	H	L	
FRD 2-156	0.4	4.0	6.3	2.3	14.0	24.5	blue
FRD 2-195	0.4	5.0	7.0	2.3	14.0	25.5	blue

Conductor section:4-6mm²(A.W.G12 ~ 10)Imax=24A Material:Brass

TYPE	Thickness of material	DIMENSION					Color
		bφ	Bφ	Dφ	H	L	
FRD 5.5-195	0.4	5.0	7.0	3.4	14.0	29.5	yellow





Conductor section:0.5-1.5mm²(A.W.G22 ~16)I_{max}=19A Material:Copper Thickness:0.75mm

TYPE	DIMENSION				Color
	F	L	H	Dφ	
	mm	mm	mm	mm	
PTV 1.25-9	1.9	19.0	10.0	4.3	red
PTV 1.25-10	1.9	20.0			
PTV 1.25-12	1.9	22.0			
PTV 1.25-13	1.9	23.0			
PTV 1.25-18	1.9	28.0			

Conductor section:1.5-2.5mm²(A.W.G16 ~14)I_{max}=27A Material:Copper Thickness:0.8mm

TYPE	DIMENSION				Color
	F	L	H	Dφ	
	mm	mm	mm	mm	
PTV 2-9	1.9	19.0	10.0	4.9	blue
PTV 2-10	1.9	20.0			
PTV 2-12	1.9	22.0			
PTV 2-13	1.9	23.0			
PTV 2-18	1.9	28.0			

Conductor section:2.5-4mm²(A.W.G14 ~12)I_{max}=36A Material:Copper Thickness:1.0mm

TYPE	DIMENSION				Color
	F	L	H	Dφ	
	mm	mm	mm	mm	
PTV 3.5-10	2.8	20.0	13.0	6.2	black
PTV 3.5-12	2.8	25.5			

Conductor section:4-6mm²(A.W.G12 ~10)I_{max}=48A Material:Copper Thickness:1.0mm

TYPE	DIMENSION				Color
	F	L	H	Dφ	
	mm	mm	mm	mm	
PTV 5.5-13	2.8	25.5	13.0	6.7	yellow

PIN-SHAPED NAKED TERMINAL(TYPE TZ)

Conductor section:0.5-1.5mm²(A.W.G22 ~16)I_{max}=19A Material:Copper Thickness:0.75mm

TYPE	DIMENSION				
	F	L	E	Dφ	dφ
	mm	mm	mm	mm	mm
PTV 1.25-9	1.9	13.8	4.8	3.4	1.7
PTV 1.25-10	1.9	14.8			
PTV 1.25-12	1.9	16.8			
PTV 1.25-13	1.9	17.8			
PTV 1.25-18	1.9	22.8			

Conductor section:1.5-2.5mm²(A.W.G16 ~14)I_{max}=27A Material:Copper Thickness:0.8mm

TYPE	DIMENSION				
	F	L	E	Dφ	dφ
	mm	mm	mm	mm	mm
PTV 2-9	1.9	13.8	4.8	4.1	2.3
PTV 2-10	1.9	14.8			
PTV 2-12	1.9	16.8			
PTV 2-13	1.9	17.8			
PTV 2-18	1.9	22.8			

Conductor section:2.5-4mm²(A.W.G14 ~12)I_{max}=37A Material:Copper Thickness:1.0mm

TYPE	DIMENSION				
	F	L	E	Dφ	dφ
	mm	mm	mm	mm	mm
PTV 3.5-10	2.8	14.8	6.0	5.0	3.0
PTV 3.5-13	2.8	19.8			

Conductor section:4-6mm²(A.W.G12 ~10)I_{max}=48A Material:Copper Thickness:1.0mm

TYPE	DIMENSION				
	F	L	H	Dφ	dφ
	mm	mm	mm	mm	mm
PTV 5.5-13	2.8	19.8	6.0	5.6	3.4



Conductor section:0.5-1.5mm²(A.W.G22 ~16)I_{max}=19A Material:Copper Thickness:0.75mm

TYPE	American Bolt number	d2φ (mm)	DIMENSION				Color	
			B	L	F	H		
			mm	mm	mm	mm		
LSV 1.25-3.5	#6	3.7	6.4	21.2	6.5	10.0	4.3	red
LSVS 1.25-4	#8	4.3	7.2	21.2	6.5			
LSVL 1.25-4	#8	4.3	8.1	21.2	6.5			
LSVS 1.25-5	#10	5.3	8.1	21.2	6.5			
LSVL 1.25-5	#10	5.3	9.5	21.2	6.5			

Conductor section:1.5-2.5mm²(A.W.G16 ~14)I_{max}=27A Material:Copper Thickness:0.8mm

TYPE	American Bolt number	d2φ (mm)	DIMENSION				Color	
			B	L	F	H		
			mm	mm	mm	mm		
LSV 2-3.5	#6	3.7	6.0	21.2	6.5	10.0	4.9	blue
LSVS 2-4	#8	4.3	7.2	21.2	6.5			
LSVL 2-4	#8	4.3	8.1	21.2	6.5			
LSVS 2-5	#10	5.3	8.1	21.2	6.5			
LSVL 2-5	#10	5.3	9.5	21.2	6.5			

Conductor section:4-6mm²(A.W.G12 ~10)I_{max}=48A Material:Copper Thickness:1.0mm

TYPE	American Bolt number	d2φ (mm)	DIMENSION				Color	
			B	L	F	H		
			mm	mm	mm	mm		
LSV 5.5-3.5	#6	3.7	8.3	25.2	7.5	13.0	6.7	yellow
LSV 5.5-4	#8	4.3	8.3	25.2	7.5			
LSV 5.5-4	#10	5.3	9.0	23.9	7.5			
LSV 5.5-5	1/4	6.4	12.0	31.2	12.0			

HOOKED PRE-INSULATING JOINT

Conductor section:0.5-1.5mm²(A.W.G22 ~16)I_{max}=19A Material:Copper Thickness:0.75mm

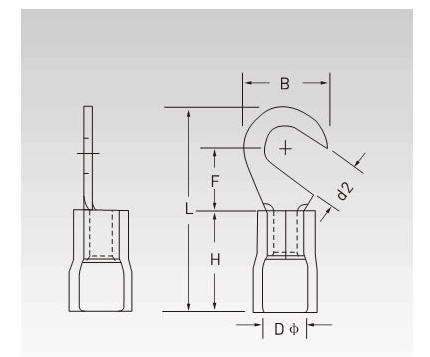
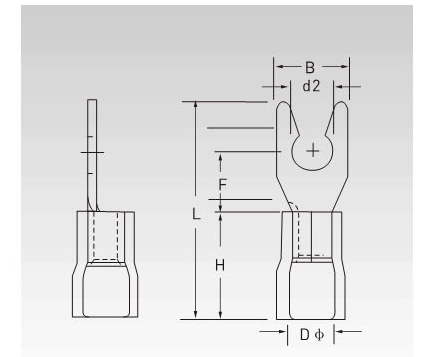
TYPE	American Bolt number	d2φ (mm)	DIMENSION				Color	
			B	L	F	H		
			mm	mm	mm	mm		
HV 1.25-3.5	#6	3.7	8.0	21.0	7.0	10.0	4.3	red
HV 1.25-4	#8	4.3	8.0	21.0	7.0			
HV 1.25-5	#10	5.3	8.0	21.0	7.0			
HV 1.25-6	1/4	6.4	11.6	27.0	11.1			

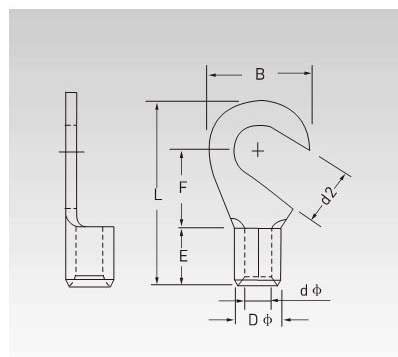
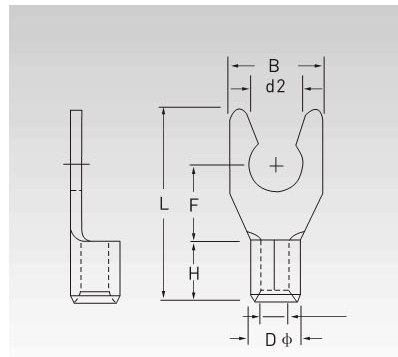
Conductor section:1.5-2.5mm²(A.W.G16 ~14)I_{max}=27A Material:Copper Thickness:0.8mm

TYPE	American Bolt number	d2φ (mm)	DIMENSION				Color	
			B	L	F	H		
			mm	mm	mm	mm		
HV 2-3.5	#6	3.7	8.5	22.0	7.75	10.0	4.9	blue
HV 2-4	#8	4.3	8.5	22.0	7.75			
HV 2-5	#10	5.3	9.5	22.0	7.25			
HV 2-5	1/4	6.4	12.0	27.0	11.0			

Conductor section:4-6mm²(A.W.G12 ~10)I_{max}=48A Material:Copper Thickness:1.0mm

TYPE	American Bolt number	d2φ (mm)	DIMENSION				Color	
			B	L	F	H		
			mm	mm	mm	mm		
HV 5.5-3.5	#6	3.7	7.2	21.4	5.9	13.0	6.7	yellow
HV 5.5-4	#8	4.3	9.5	25.5	8.25			
HV 5.5-5	#10	5.3	9.5	25.5	8.25			
HV 5.5-5	1/4	6.4	12.0	31.5	13.0			





Imax=19A Material: Copper Thickness:0.75mm

TYPE	d2φ (mm)	DIMENSION						A.W.G mm ²
		B	F	L	E	Dφ	dφ	
LSNB 1.25-3.5	3.7	6.4						22-16A.W.G 0.5-1.5mm ²
LSNBS 1.25-4	4.3	7.2						
LSNBL 1.25-4	4.3	8.1	6.5	16.0	4.8	3.4	1.7	
LSNBS 1.25-5	5.3	8.1						
LSNBL 1.25-5	5.3	9.5						

Imax=27A Material: Copper Thickness:0.8mm

TYPE	d2φ (mm)	DIMENSION						A.W.G mm ²
		B	F	L	E	Dφ	dφ	
LSNB 2-3.5	3.7	6.0						16-14A.W.G 1.5-2.5mm ²
LSNBS 2-4	4.3	7.2						
LSNBL 2-4	4.3	8.1	6.5	16.0	4.8	4.1	2.3	
LSNBS 2-5	5.3	8.1						
LSNBL 2-5	5.3	9.5						

Imax=48A Material: Copper Thickness:1.0mm

TYPE	d2φ (mm)	DIMENSION						A.W.G mm ²
		B	F	L	E	Dφ	dφ	
LSNB 5.5-3.5	3.7	8.3						12-10A.W.G 4-6mm ²
LSNB 5.5-4	4.3	8.3	7.5	19.5	6.0	5.6	3.4	
LSNB 5.5-5	5.3	9.0						
LSNB 5.5-6	6.4	12.0	12.0	24.5				

HOOKED NAKED TERMINAL

Imax=19A Material: Copper Thickness:0.75mm

TYPE	d2φ (mm)	DIMENSION						A.W.G mm ²
		B	F	L	E	Dφ	dφ	
HNB 1.25-3.5	3.7							22-16A.W.G 0.5-1.5mm ²
HNB 1.25-4	4.3	8.0	7.0	15.8	4.8	3.4	1.7	
HNB 1.25-5	5.3							
HNB 1.25-6	6.4	11.6	11.0	21.8				

Imax=27A Material: Copper Thickness:0.8mm

TYPE	d2φ (mm)	DIMENSION						A.W.G mm ²
		B	F	L	E	Dφ	dφ	
HNB 2-3.5	3.7							16-14A.W.G 1.5-2.5mm ²
HNB 2-4	4.3	8.5	7.8	16.8	4.8	4.1	2.3	
HNB 2-5	5.3	9.5	7.3					
HNB 2-6	6.4	12.0	11.0	21.8				

Imax=48A Material: Copper Thickness:1.0mm

TYPE	d2φ (mm)	DIMENSION						A.W.G mm ²
		B	F	L	E	Dφ	dφ	
HNB 5.5-3.5	3.7	7.2	6.1	15.7				12-10A.W.G 4-6mm ²
HNB 5.5-4	4.3	9.5	9.5	19.8	6.0	5.6	3.4	
HNB 5.5-5	5.3							
HNB 5.5-6	6.4	12.0	10.3	22.5				
HNB 5.5-8	8.4	15.0	13.5	27.0				

Imax=62A Material: Copper Thickness:1.2mm

TYPE	d2φ (mm)	DIMENSION						A.W.G mm ²
		B	F	L	E	Dφ	dφ	
HNB 8-8	8.4	15.0	13.8	29.5	8.5	7.2	4.5	8A.W.G8mm ²



Conductor section:0.5-1.5mm²(A.W.G22 ~16)Imax=19A Material:Copper Thickness:0.75mm

TYPE	American Bolt number	d2φ (mm)	DIMENSION					Color
			B	L	F	H	Dφ	
FSV 1.25-3.5	#6	3.7	7.5	19.0	5.1			red
FSV 1.25-4	#8	4.3	7.5	19.0	5.1	10.0	4.3	
FSV 1.25-5	#10	5.3	7.5	19.0	5.1			

Conductor section:1.5-2.5mm²(A.W.G16 ~14)Imax=27A Material:Copper Thickness:0.8mm

TYPE	American Bolt number	d2φ (mm)	DIMENSION					Color
			B	L	F	H	Dφ	
FSV 2-3.5	#6	3.7	7.5	19.0	5.2			blue
FSV 2-4	#8	4.3	7.5	19.0	5.2	10.0	4.9	
FSV 2-5	#10	5.3	7.5	19.0	5.2			

Conductor section:4-6mm²(A.W.G12 ~10)Imax=48A Material:Copper Thickness:1.0mm

TYPE	American Bolt number	d2φ (mm)	DIMENSION					Color
			B	L	F	H	Dφ	
FSV 5.5-3.5	#6	3.7	8.5	25.5	7.5			yellow
FSV 5.5-4	#8	4.3	8.5	25.5	7.5	13.0	6.7	
FSV 5.5-5	#10	5.3	8.5	25.5	7.5			

FEMAL CHIP-SHAPED PRE-INSULATING JOINT

Conductor section:0.5-1.5mm²(A.W.G22 ~16)Imax=19A Material:Copper Thickness:0.75mm

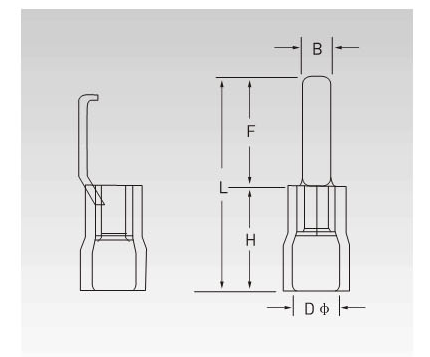
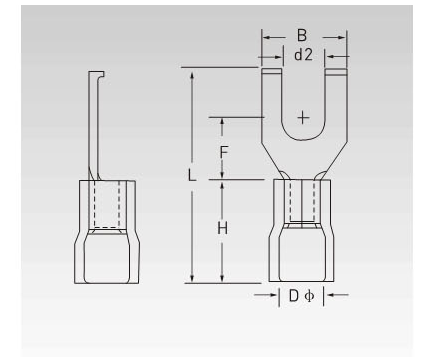
TYPE	DIMENSION					Color
	B	L	F	H	Dφ	
LBV 1.25-3	3.0	26.8	16.8	10.0	4.3	red
LBV 1.25-4.6	4.6	26.8	16.8			

Conductor section:1.5-2.5mm²(A.W.G16 ~14)Imax=27A Material:Copper Thickness:0.8mm

TYPE	DIMENSION					Color
	B	L	F	H	Dφ	
LBV 2-3	3.0	26.8	16.8	10.0	4.9	blue
LBV 2-4.6	4.6	26.8	16.8			

Conductor section:4-6mm²(A.W.G12 ~10)Imax=48A Material:Copper Thickness:1.0mm

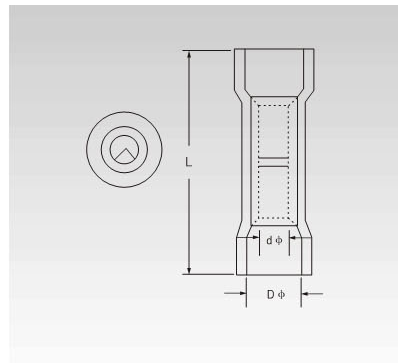
TYPE	DIMENSION					Color
	B	L	F	H	Dφ	
LBV 5.5-3	3.0	29.3	16.8	13.0	6.7	yellow
LBV 5.5-4.6	4.6	29.3	16.8			





Imax=26-22 A.W.G:9A 22-16A.WG:19A
 16-14A.W.G:27A 12-10A.WG:48A
 Max withstanding pressure:105°C 600V Insulating Cover Material:Nylon

TYPE	DIMENSION			Joint material	A.W.Gmm ²	Color
	L mm	Dφ mm	dφ mm			
BNYF 0.5	20.0	2.0	1.3	Copper Pipe	26-22A.W.G 0.2-0.5mm ²	yellow
BNYF 1.25	27.3	3.2	1.7	Copper Pipe	26-16A.W.G 0.5-1.5mm ²	red
BNYF 2	27.3	3.8	2.3	Copper Pipe	16-14A.W.G 1.5-2.5mm ²	blue
BNYF 5.5	27.3	5.3	3.4	Copper Pipe	12-10A.W.G 4-6mm ²	yellow

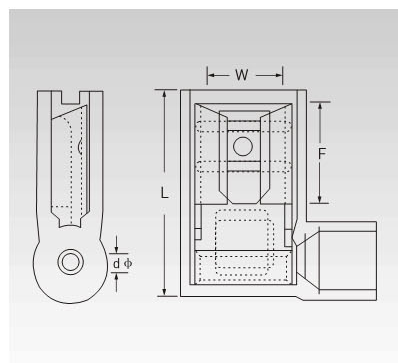


TYPE	DIMENSION			Joint material	A.W.Gmm ²	Color
	L mm	Dφ mm	dφ mm			
BNY 1.25	27.3	3.2	1.7	Copper	26-16A.W.G 0.5-1.5mm ²	red
BNY 2	27.3	3.8	2.3	Copper	16-14A.W.G 1.5-2.5mm ²	blue
BNY 5.5	27.3	5.3	3.4	Copper	12-10A.W.G 4-6mm ²	yellow

FLAG FEMALE INSULATING JOINT(NYLON)

Imax=22-18 A.W.G:10A 16-14A.WG:15A 12-10A.W.G:24A
 Max withstanding pressure:105°C 600V
 Material: Brass Insulating Cover Material: Nylon Thickness: 0.4mm

TYPE	Connect specification	DIMENSION				A.W.Gmm ²
		W mm	F mm	L mm	dφ mm	
FLDNY 1.25-250	0.8 × 6.35	6.6	7.6	16.0	17	22-18A.W.G 0.5-1.5mm ²
FLDNY 2-250	0.8 × 6.35	6.6	7.6	16.0	17	16-14A.W.G 1.5-2.5mm ²
FLDNY 5.5-250	0.8 × 6.35	6.6	7.6	16.0	17	12-10A.W.G 4-6mm ²



Imax=10A Material:Brass Insulating Cover Material: Nylon

TYPE	Connect specification	DIMENSION							Fig	A.W.G mm ²	Color
		W mm	F mm	L mm	B mm	Dφ mm	Cφ mm	T mm			
FDNF 1.25-250	0.8 × 6.35	6.6	7.3	22.0	11.0	4.0	1.7	0.4	1	22-16A.W.G	red
MDFN 1.25-250	0.8 × 6.35	6.35	7.7	23.0	11.0	4.0	1.7	0.4	2	0.5-1.5mm ²	red

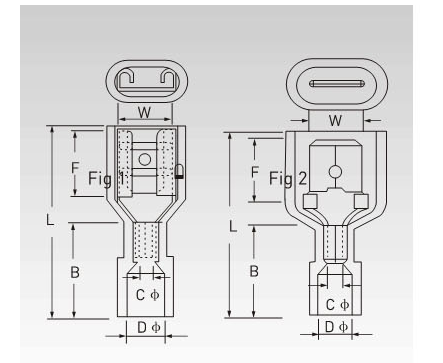
Imax=15A Material:Brass Insulating Cover Material: Nylon

TYPE	Connect specification	DIMENSION							Fig	A.W.G mm ²	Color
		W mm	F mm	L mm	B mm	Dφ mm	Cφ mm	T mm			
FDNF 2-250	0.8 × 6.35	6.6	7.3	22.0	11.0	4.5	2.3	0.4	1	16-14A.W.G	blue
MDFN 2-250	0.8 × 6.35	6.35	7.7	24.0	11.0	4.5	2.3	0.4	2	1.5-2.5mm ²	blue



Imax=24A Material:Brass Insulating Cover Material: Nylon

TYPE	Connect specification	DIMENSION							Fig	A.W.G mm ²	Color
		W mm	F mm	L mm	B mm	Dφ mm	Cφ mm	T mm			
FDNF 5.5-250	0.8 × 6.35	6.6	7.3	24.0	13.0	6.3	3.4	0.4	1	12-10A.W.G	yellow
MDFN 5.5-250	0.8 × 6.35	6.35	7.7	25.0	13.0	6.3	3.4	0.4	2	4-6mm ²	yellow



MALE AND FEMALE FULL-INSULATING JOINT(NYLON)

Imax=10A Material:Brass Insulating Cover Material: Nylon

TYPE	Connect specification	DIMENSION							Fig	A.W.G mm ²	Color
		W mm	F mm	L mm	B mm	Dφ mm	Cφ mm	T mm			
FDNFY 1.25-250	0.8 × 6.35	6.6	7.3	22.0	12.0	4.0	1.7	0.45	1	22-16A.W.G	red
MDFNY 1.25-250	0.8 × 6.35	6.35	7.7	23.0	11.0	4.0	1.7	0.8	2	0.5-1.5mm ²	red

Imax=15A Material:Brass Insulating Cover Material: Nylon

TYPE	Connect specification	DIMENSION							Fig	A.W.G mm ²	Color
		W mm	F mm	L mm	B mm	Dφ mm	Cφ mm	T mm			
FDNFY 2-250	0.8 × 6.35	6.6	7.3	23.0	12.0	4.5	2.3	0.45	1	16-14A.W.G	blue
MDFNY 2-250	0.8 × 6.35	6.35	7.7	24.0	11.0	4.5	2.3	0.8	2	1.5-2.5mm ²	blue



Imax=24A Material:Brass Insulating Cover Material: Nylon

TYPE	Connect specification	DIMENSION							Fig	A.W.G mm ²	Color
		W mm	F mm	L mm	B mm	Dφ mm	Cφ mm	T mm			
FDNFY 5.5-250	0.8 × 6.35	6.6	7.3	23.0	12.0	5.0	3.4	0.45	1	12-10A.W.G	yellow
MDFNY 5.5-250	0.8 × 6.35	6.35	7.7	24.0	11.0	5.0	3.4	0.8	2	4-6mm ²	yellow

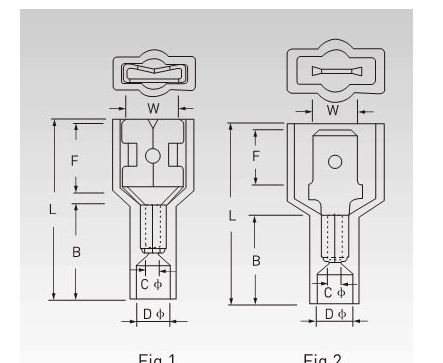
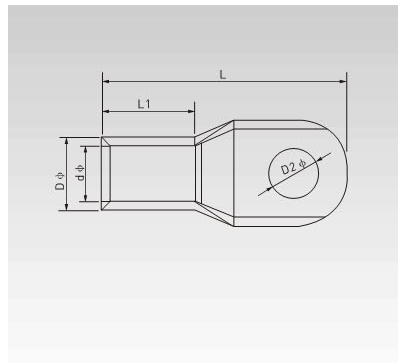


Fig 1

Fig 2



TYPE	d2φ (mm)	DIMENSION				Conductor section (mm ²)
		dφ mm	Dφ mm	L1 mm	L mm	
SC 1.5-5	5.3	1.9	3.35	6.5	18.0	1.5
SC 2.5-4	4.3	2.6	4.0	7.0	18.0	2.5
SC 2.5-5	5.3	2.6	4.0	7.0	20.0	2.5
SC 4-5	5.3	3.2	4.8	7.5	20.5	4
SC 4-6	6.4	3.2	4.8	7.5	22.0	4
SC 6-5	5.3	3.7	5.3	8.0	24.0	6
SC 6-6	6.4	3.7	5.3	8.0	24.0	6
SC 10-6	6.4	4.5	6.3	9.0	24.0	10
SC 10-8	8.4	4.5	6.3	9.0	25.0	10
SC 16-6	6.4	5.7	7.5	11.0	27.5	16
SC 16-8	8.4	5.7	7.5	11.0	29.5	16
SC 25-6	6.4	7.2	9.0	13.5	34.0	25
SC 25-8	8.4	7.2	9.0	13.5	34.0	25
SC 35-8	8.4	8.5	10.8	14.5	37.0	35
SC 35-10	10.5	8.5	10.8	14.5	38.0	35
SC 50-8	8.4	9.8	12.5	17.0	42.5	50
SC 50-10	10.5	9.8	12.5	17.0	44.0	50
SC 70-10	10.5	11.5	14.5	19.5	50.0	70
SC 70-12	13.0	11.5	14.5	19.5	50.0	70
SC 95-10	10.5	13.7	17.0	23.5	57.0	95
SC 95-12	13.0	13.7	17.0	23.5	57.0	95
SC 120-12	13.0	15.0	19.0	26.0	63.0	120
SC 120-16	17.0	15.0	19.0	26.0	63.0	120
SC 150-12	13.0	16.7	21.0	29.0	71.0	150
SC 150-16	17.0	16.7	21.0	29.0	71.0	150
SC 185-16	17.0	18.5	23.0	33.0	79.0	185
SC 240-16	17.0	21.0	26.0	40.0	91.0	240
SC 240-20	21.0	21.0	26.0	40.0	92.0	240
SC 300-16	17.0	24.0	30.0	44.0	100.0	300
SC 300-20	21.0	24.0	30.0	44.0	102.0	300
SC 400-16	17.0	27.0	34.0	46.0	102.0	400
SC 400-20	21.0	27.0	34.0	46.0	113.0	400
SC 500-16	17.0	30.0	38.0	50.0	123.0	500
SC 500-20	21.0	30.0	38.0	50.0	123.0	500
SC 630-20	21.0	35.0	45.0	56.0	135.0	630
SC 800-BL	-	39.0	50.0	60.0	170.0	800
SC 1000-BL	-	44.0	56.0	87.0	200.0	1000



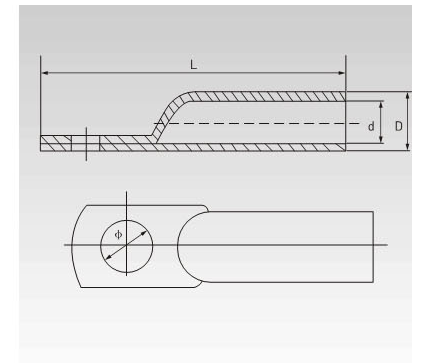
APPLICATION

These products are applicable to the connection of wires in distribution equipment power supply cable with electronic apparatus, it is made of (T2) copper tube by die cast and coated tin.

These products are applicable to the connection of wires in distribution equipment power supply cable with electronic apparatus, it is made of (T2) copper tube by die cast and coated tin.



TYPE				
DT(G)-10	6.2	8	5	52
DT(G)-16	6.2	9	6	57
DT(G)-25	6.2	10	7	62
DT(G)-35	8.5	11	8	66
DT(G)-50	8.5	13	10	72
DT(G)-70	10.5	16	12	80
DT(G)-95	10.5	18	14	85
DT(G)-120	12.5	20	15	96
DT(G)-150	12.5	23	17	102
DT(G)-185	14.5	25	19	114
DT(G)-240	16.5	27	21	120
DT(G)-300	16.5	31	24	135
DT(G)-400	18.5	34	26	150
DT(G)-500	20.5	38	30	170
DT(G)-630	22.5	45	35	210
DT(G)-800	22.5	50	40	270



TYPE				
JG-10	6.2	8	5	38
JG-16	8.4	9	6	41
JG-25	8.4	10	7	46
JG-35	8.5	11	8	52
JG-50	8.5	13	10	54
JG-70	10.5	16	12	61
JG-95	10.5	18	14	66
JG-120	12.5	20	15	73
JG-150	12.5	23	17	77
JG-185	14.5	25	19	86
JG-240	16.5	27	21	93
JG-300	16.5	31	24	103
JG-400	18.5	34	26	113
JG-500	20.5	38	30	124
JG-630	22.5	45	35	140
JG-800	22.5	50	40	170

